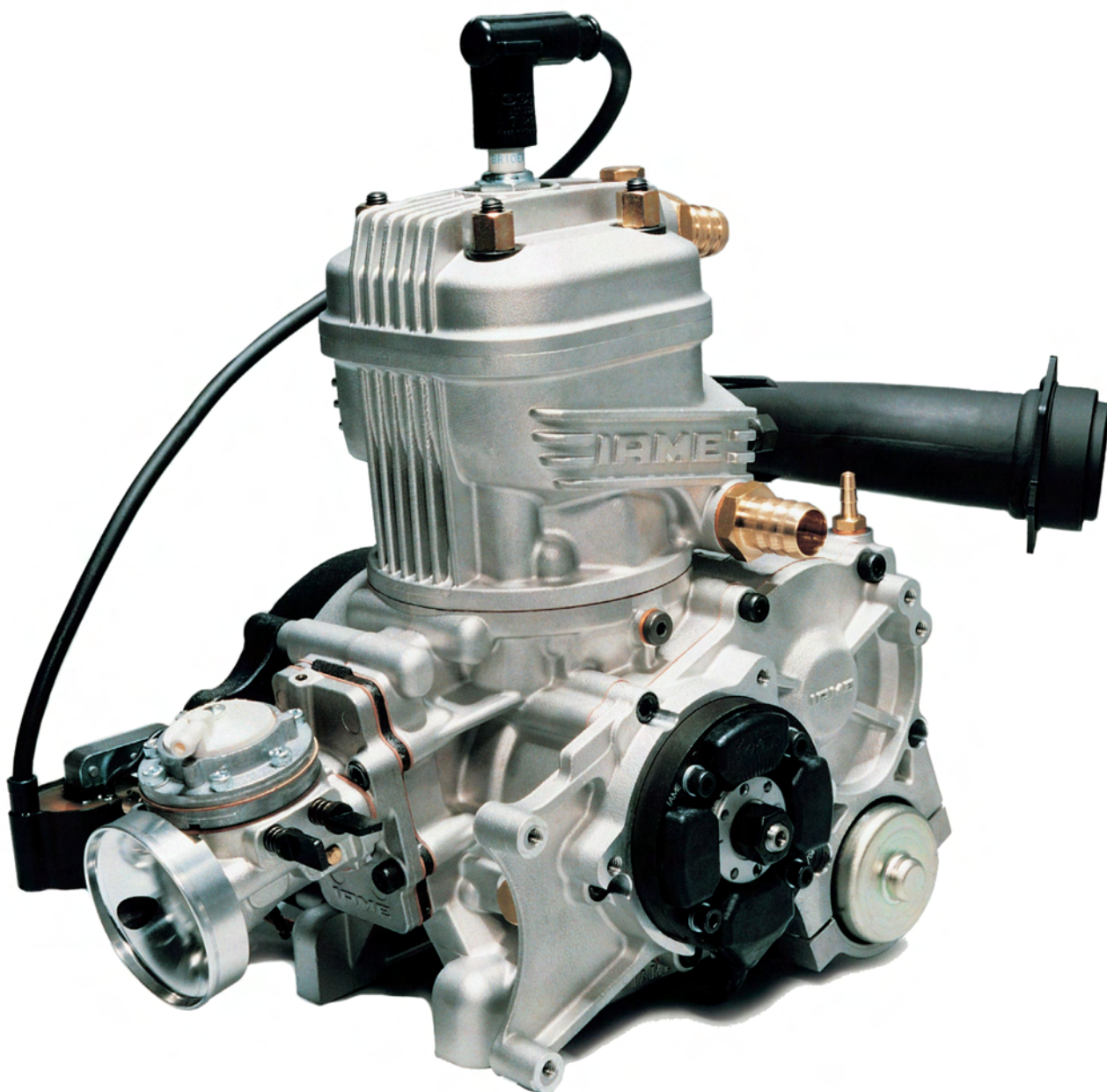


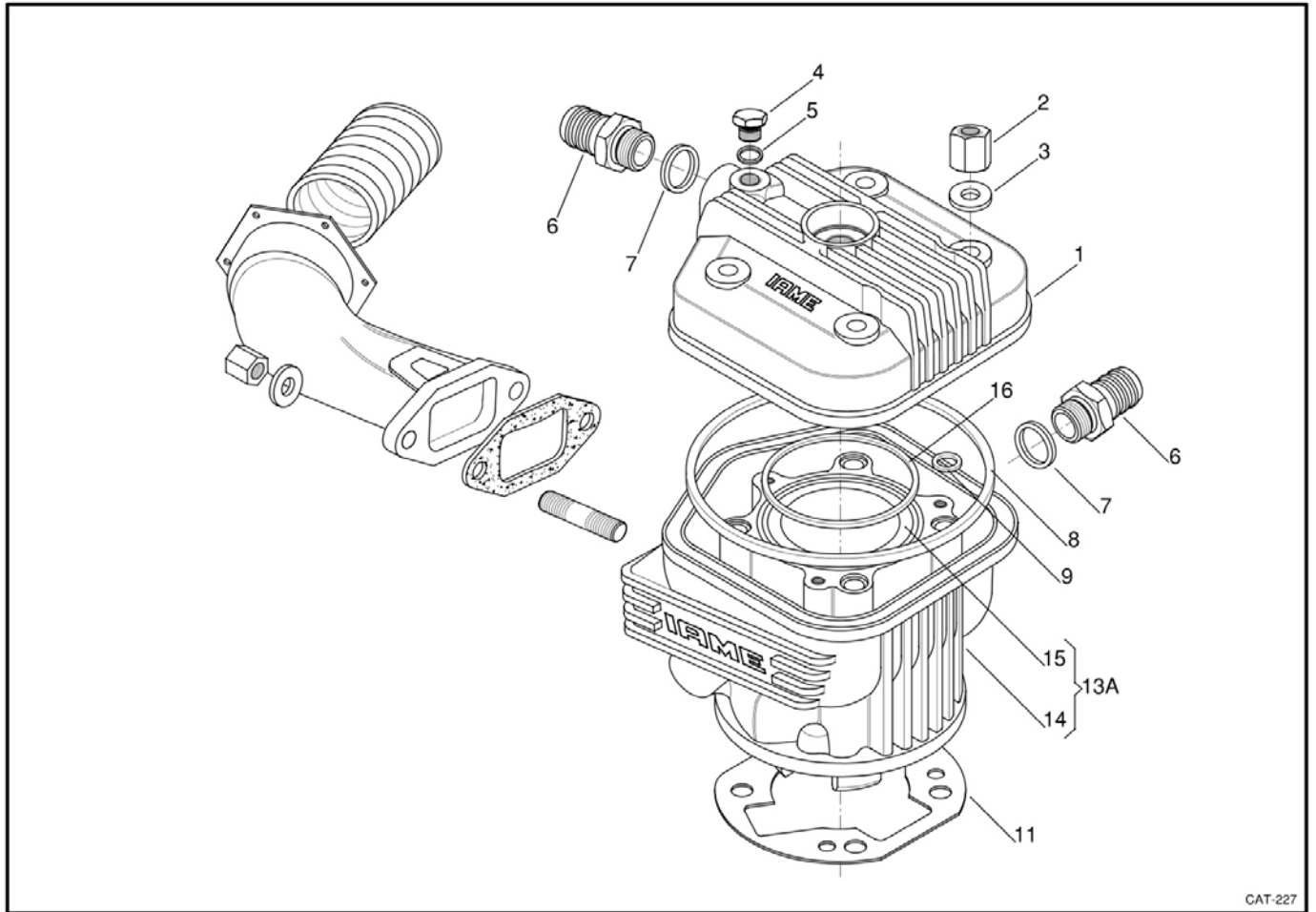
**IAME**

The heart of kart

PARILLA - X30 16.000 rpm



# HEAD AND CYLINDER

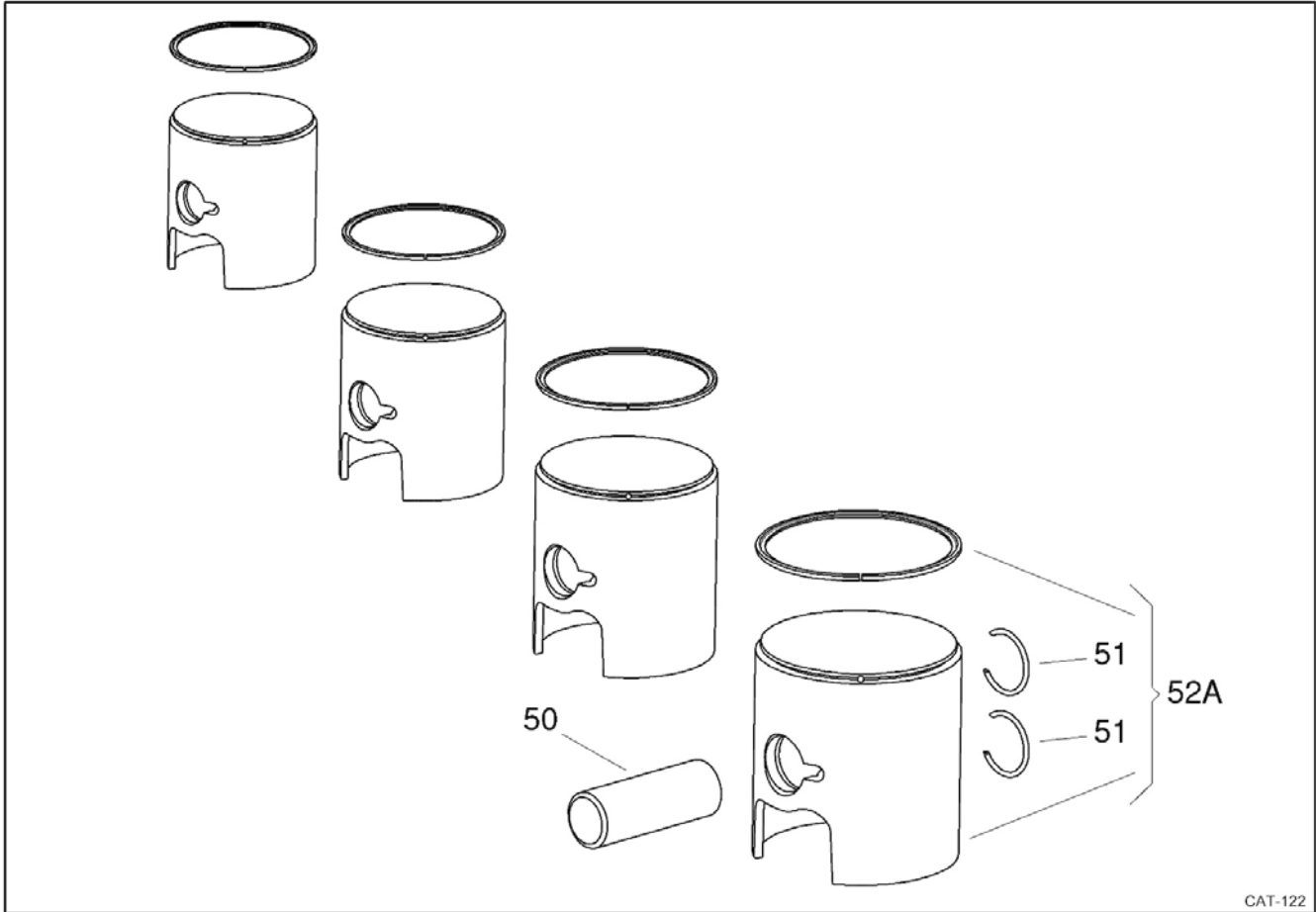


CAT-227

## RICAMBI / SPARES

| POS  | COD         | DESCR                        | PRICE |
|------|-------------|------------------------------|-------|
| 001  | X30125040-C | CYL. HEAD X30                |       |
| 002  | 10350       | HEAD NUT                     |       |
| 003  | 10635       | HEAD NUT WASHER H=3mm        |       |
| 004  | B-25840     | TEMP. GAUGE PLUG             |       |
| 005  | B-25845     | TEMP. GAUGE PLUG GASKET      |       |
| 006  | IFA-40500   | WATER PIPE FITT. REEDST./KZ  |       |
| 008  | F-38820     | HEAD GASKET OR               |       |
| 009  | B-25825     | TIE-ROD GASKET OR STUD-BOLT  |       |
| 011  | EBP-125045  | CYL. GASKET 4/10 SUD-TOP/X30 |       |
| 011  | EBP-125046  | CYL. GASKET 2/10 SUD-TOP/X30 |       |
| 013A | X30125030   | COMPL. CYLINDER PAR-X30      |       |
| 015  | X30125020   | IRON LINER PAR-X30           |       |
| 016  | D-37049     | HEAD GASKET OR 3237          |       |

# PISTON

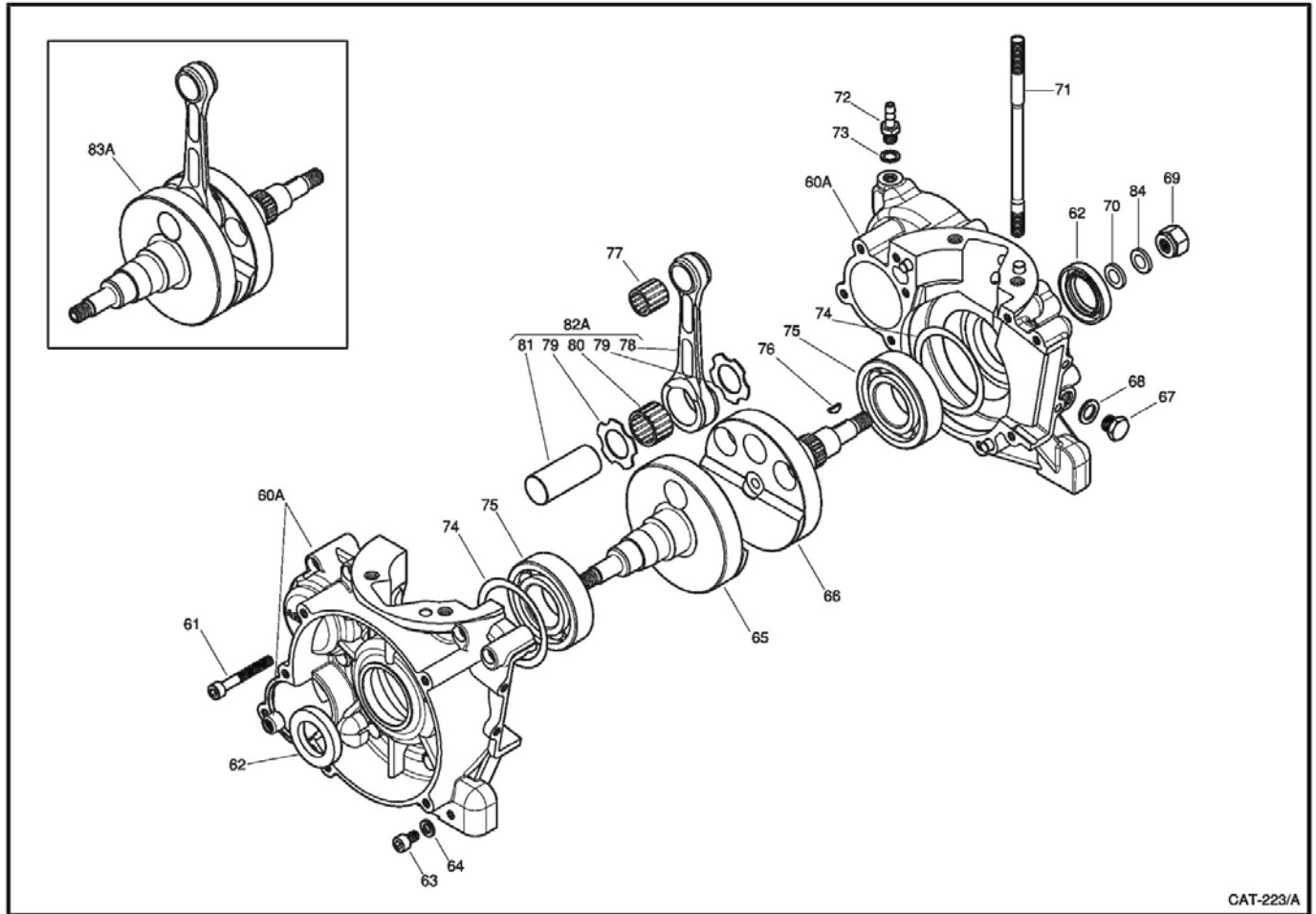


CAT-122

## RICAMBI / SPARES

| POS  | COD         | DESCR                    | PRICE |
|------|-------------|--------------------------|-------|
| 050  | B-30320-B   | PISTON PIN 14x44 2^SEL.  |       |
| 050  | B-30320-G   | PISTON PIN 14x44 3^SEL.  |       |
| 050  | B-30320-R   | PISTON PIN 14x44 1^SEL.  |       |
| 051  | 10341-A     | CIRCLIP W/OUT TAILS      |       |
| 052A | BP-25051-CR | PISTON, COMPL. PR 54.00r |       |
| 052A | BP-25051-CV | PISTON, COMPL. PR 54.00g |       |
| 052A | BP-25056-CR | PISTON, COMPL. PR 54.02r |       |
| 052A | BP-25056-CV | PISTON, COMPL. PR 54.02g |       |
| 052A | BP-25058-CR | PISTON, COMPL. PR 54.05r |       |
| 052A | BP-25058-CV | PISTON, COMPL. PR 54.05g |       |
| 052A | BP-25061-CR | PISTON, COMPL. PR 54.10r |       |
| 052A | BP-25061-CV | PISTON, COMPL. PR 54.10g |       |
| 052A | BP-25066-CR | PISTON, COMPL. PR 54.12r |       |
| 052A | BP-25066-CV | PISTON, COMPL. PR 54.12g |       |
| 052A | BP-25068-CR | PISTON, COMPL. PR 54.15r |       |
| 052A | BP-25068-CV | PISTON, COMPL. PR 54.15g |       |
| 052A | BP-25071-CR | PISTON, COMPL. PR 54.20r |       |
| 052A | BP-25071-CV | PISTON, COMPL. PR 54.20g |       |
| 052A | BP-25076-CR | PISTON, COMPL. PR 54.22r |       |
| 052A | BP-25076-CV | PISTON, COMPL. PR 54.22g |       |
| 052A | BP-25081-CR | PISTON, COMPL. PR 54.25r |       |
| 052A | BP-25081-CV | PISTON, COMPL. PR 54.25g |       |
| 052A | BP-25086-CR | PISTON, COMPL. PR 54.27r |       |
| 052A | BP-25086-CV | PISTON, COMPL. PR 54.27g |       |

# CRANKCASE & CRANKSHAFT

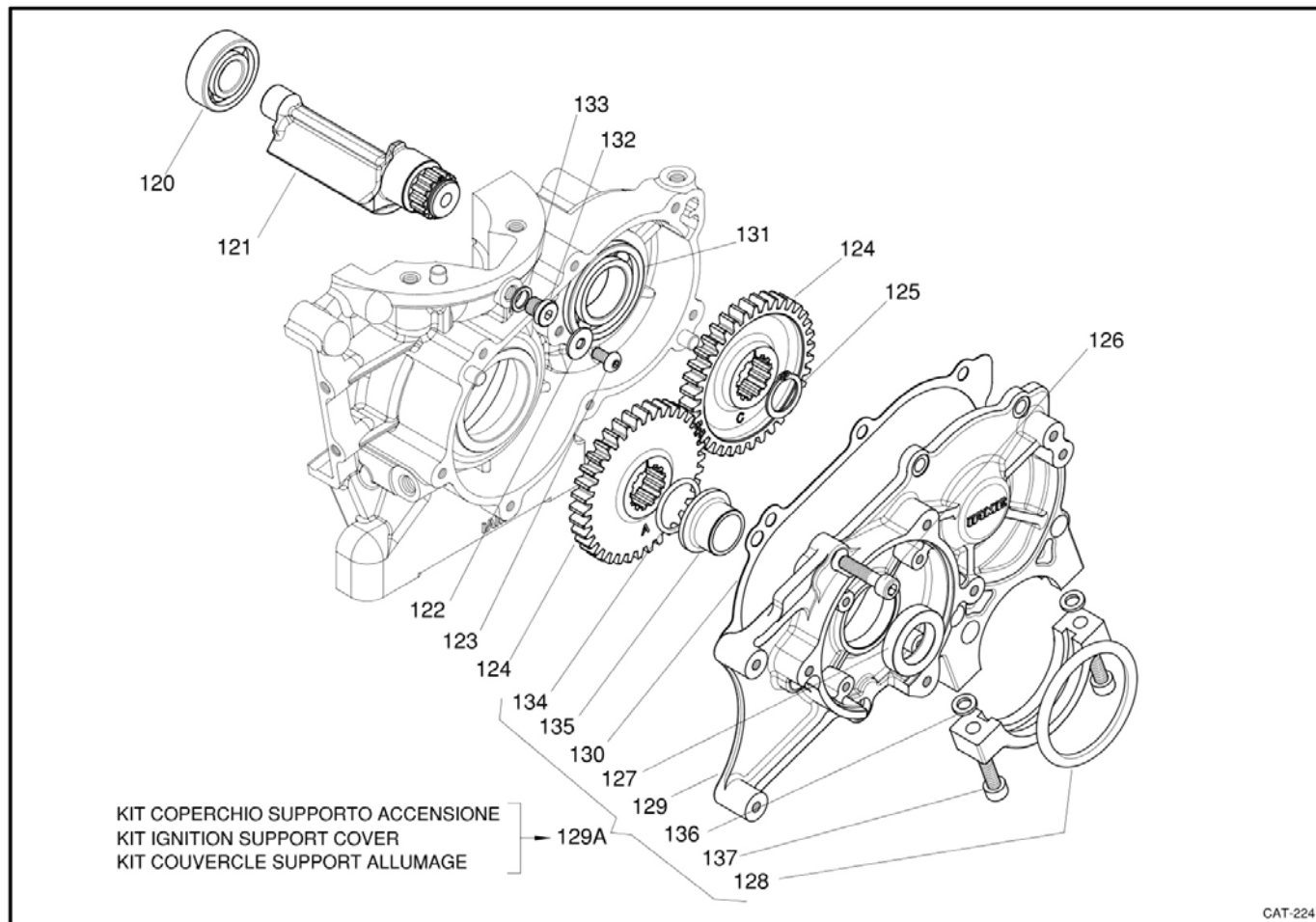


CAT-223/A

## RICAMBI / SPARES

| POS  | COD         | DESCR                          | PRICE |
|------|-------------|--------------------------------|-------|
| 060A | X30125485-C | CRANKCASE W/CAGE X30           |       |
| 061  | 00049-K     | KIT OF 20 ALLEN SCREWS 6x45    |       |
| 062  | X30125425A  | OIL SEAL MAGN./DRIVE SIDE      |       |
| 063  | 00059-K     | 20 FIXING CABLE SCREWS KIT     |       |
| 064  | 00302-K     | KIT 20 WASHERS M6              |       |
| 065  | X30125385   | DR .S. H. CRANKSHAFT X30       |       |
| 066  | X30125390   | MAGN. S. H. CRANKSHAFT X30     |       |
| 067  | B-25840     | TEMP. GAUGE PLUG               |       |
| 068  | B-25845     | TEMP. GAUGE PLUG GASKET        |       |
| 070  | 00304-K     | KIT OF 20 WASHERS M10          |       |
| 071  | B-25347     | CYLINDER TIE-ROD 8x153         |       |
| 072  | D-95800     | PRESSURE FITTING               |       |
| 073  | B-71805     | PRESSURE Cu FITT. GASKET       |       |
| 074  | X30125405   | STEEL SHIM 0.10 X30            |       |
| 074  | X30125406   | STEEL SHIM 0.15 X30            |       |
| 075  | X30125396A  | BALL BEARING SKF 6206 X30      |       |
| 076  | 10375       | MAGNETO/SPROCKET SHAFT END KEY |       |
| 077  | E-10440     | SMALL END CAGE                 |       |
| 079  | X30125436   | SILVER BRONZE WASHER           |       |
| 080  | X30125431   | BIG END CAGE                   |       |
| 081  | X30125450   | CRANKPIN 20x48.8               |       |
| 082A | IFC-50100-C | CONROD mm 102-pin 48.8 X30     |       |
| 083A | X30125617   | COMPLETE CRANKSHAFT X30        |       |
| 084  | 00342-K     | KIT 20 WASHERS -10,5x18x0,8    |       |

# BALANCING SHAFT

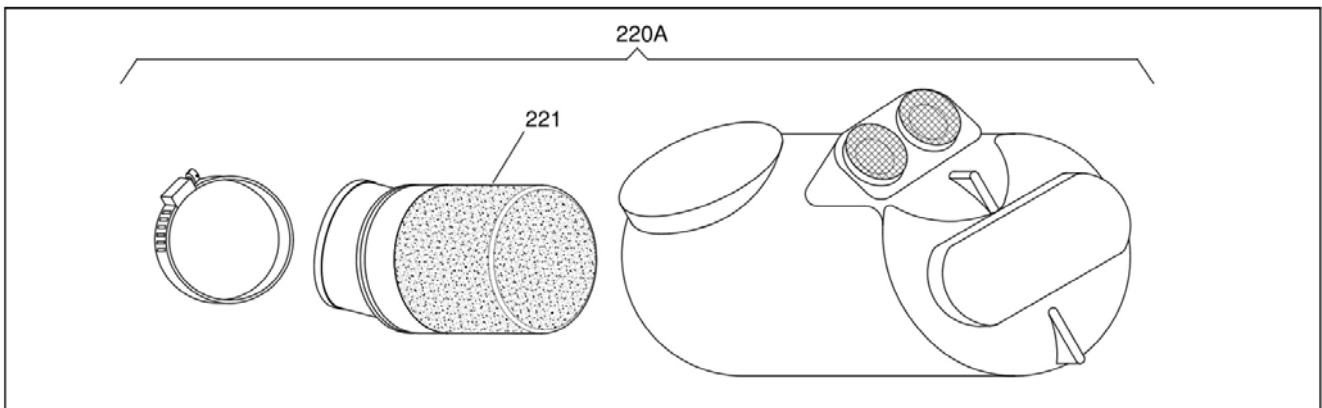
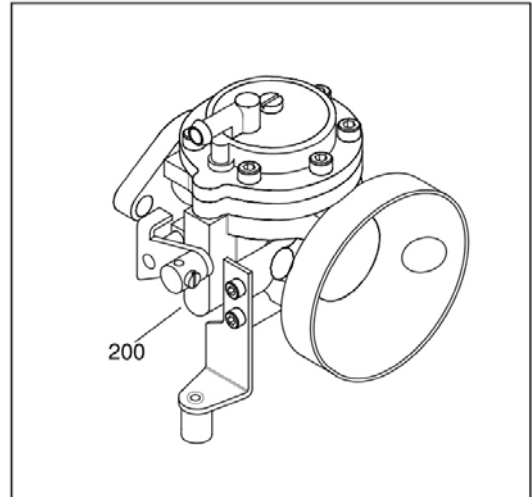
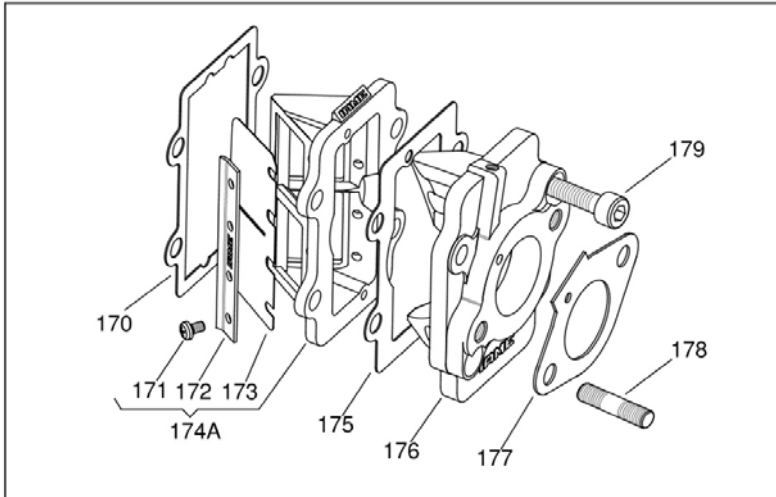


CAT-224

## RICAMBI / SPARES

| POS  | COD          | DESCR                          | PRICE |
|------|--------------|--------------------------------|-------|
| 120  | IMB-20100    | BALL BEARING 6202 T1XC4        |       |
| 121  | X30125750    | BALANCING SHAFT X30            |       |
| 122  | 00313-K      | KIT 20 WASHERS M5x15           |       |
| 123  | 00257-K      | 20 SCREWS KIT M5x10            |       |
| 124  | X30125755B   | BALANCING SHAFT GEAR X30       |       |
| 125  | X30125758    | SEEGER SHAFT GEAR              |       |
| 126  | 00042-K      | 20 VALVE FIXING SCREWS KIT     |       |
| 127  | X30125880    | OIL SEAL TC 22x32x7            |       |
| 128  | X30125853    | DAMPENER OR                    |       |
| 129  | X30125875A   | IGNIT. SUPP. COVER X30         |       |
| 129A | X30125875A-C | KIT IGNITION SUPPORT COVER X30 |       |
| 130  | X30125878    | COVER GASKET X30               |       |
| 131  | X30125746A   | 6005 BALL BEARING              |       |
| 132  | X30125490    | PRESSURE PLUG                  |       |
| 133  | B-71805      | PRESSURE Cu FITT. GASKET       |       |
| 134  | X30125762    | GASKET OR X30                  |       |
| 135  | X30125760    | GEAR SPACER X30                |       |
| 136  | 00302-K      | KIT 20 WASHERS M6              |       |
| 137  | 00045-K      | 20 SOCKET H. SCREWS M6X25 KIT  |       |

# INLET

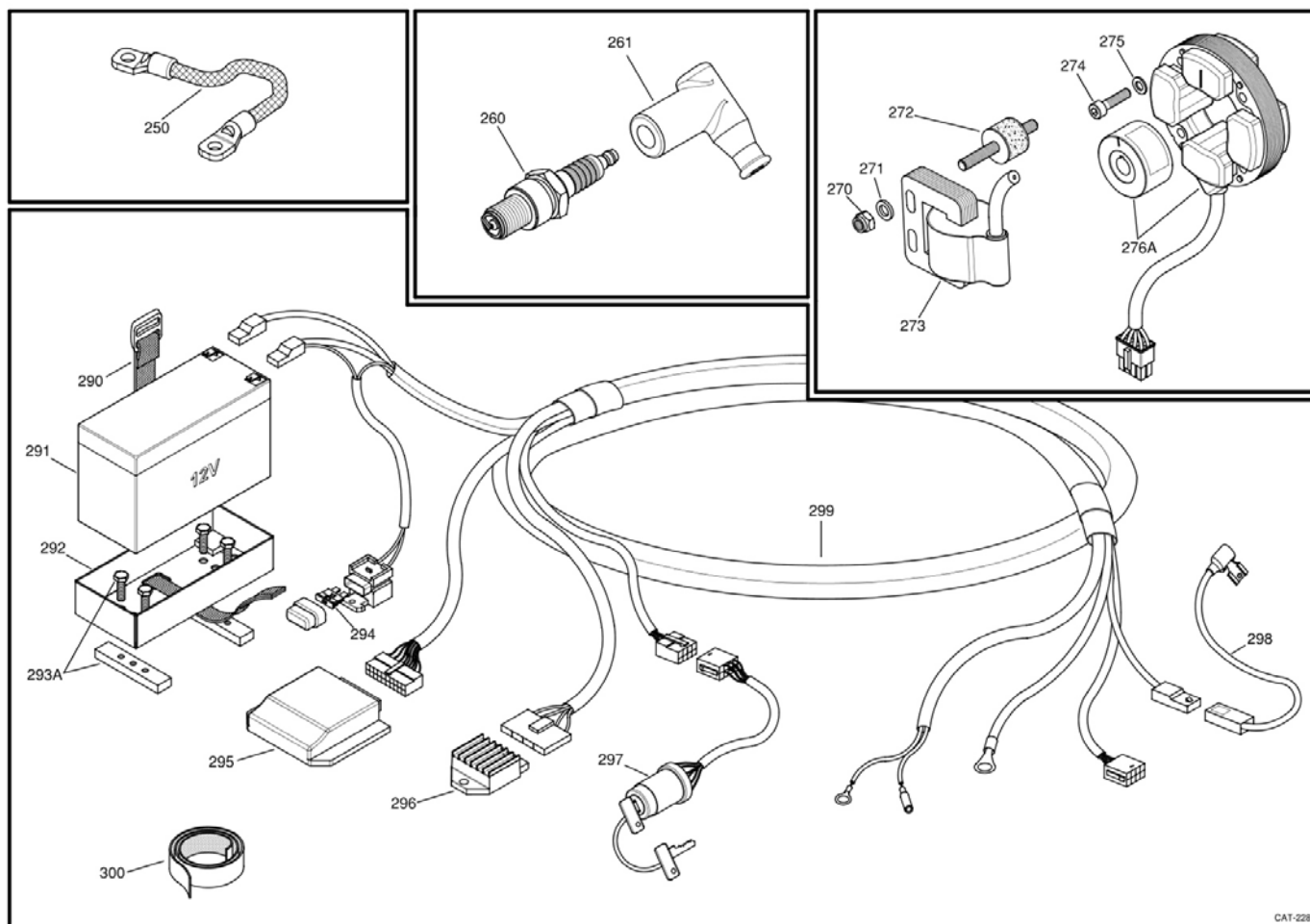


CAT-232/A

## RICAMBI / SPARES

| POS  | COD        | DESCR                          | PRICE |
|------|------------|--------------------------------|-------|
| 170  | X30125810  | REED BLOCK GASKET X30          |       |
| 171  | 10380      | REEDS SCREW                    |       |
| 172  | F-11845A   | REED CLIPS                     |       |
| 173  | F-11840-C  | KIT 2 TOP R.PETAL 0.24/0.25    |       |
| 173  | F-11841-C  | KIT 2 TOP R.PETAL 0.22/0.23    |       |
| 173  | X3011840   | GLASS FIBER REEDS PETAL X30    |       |
| 174A | F-11830B-C | REEDS GROUP TOP                |       |
| 174A | X3011830-C | REEDS BLOCK X30                |       |
| 175  | F-11805    | TOP CONVEYOR GASKET            |       |
| 176  | X30125815  | CONVEYOR mm.28 X30             |       |
| 177  | 10360-A    | CARBURETOR GASKET              |       |
| 178  | F-40525    | STUDBOLT M6x30                 |       |
| 179  | 00045-K    | 20 SOCKET H. SCREWS M6x25 KIT  |       |
| 200  | 10948A     | CARBURETOR TRYTON HB27-C mm.26 |       |
| 220A | 10743-C1   | COMPLETE INTAKE SILENCER       |       |
| 221  | 10751-A    | FOAM FILTER WITH RUBBER HOSE   |       |

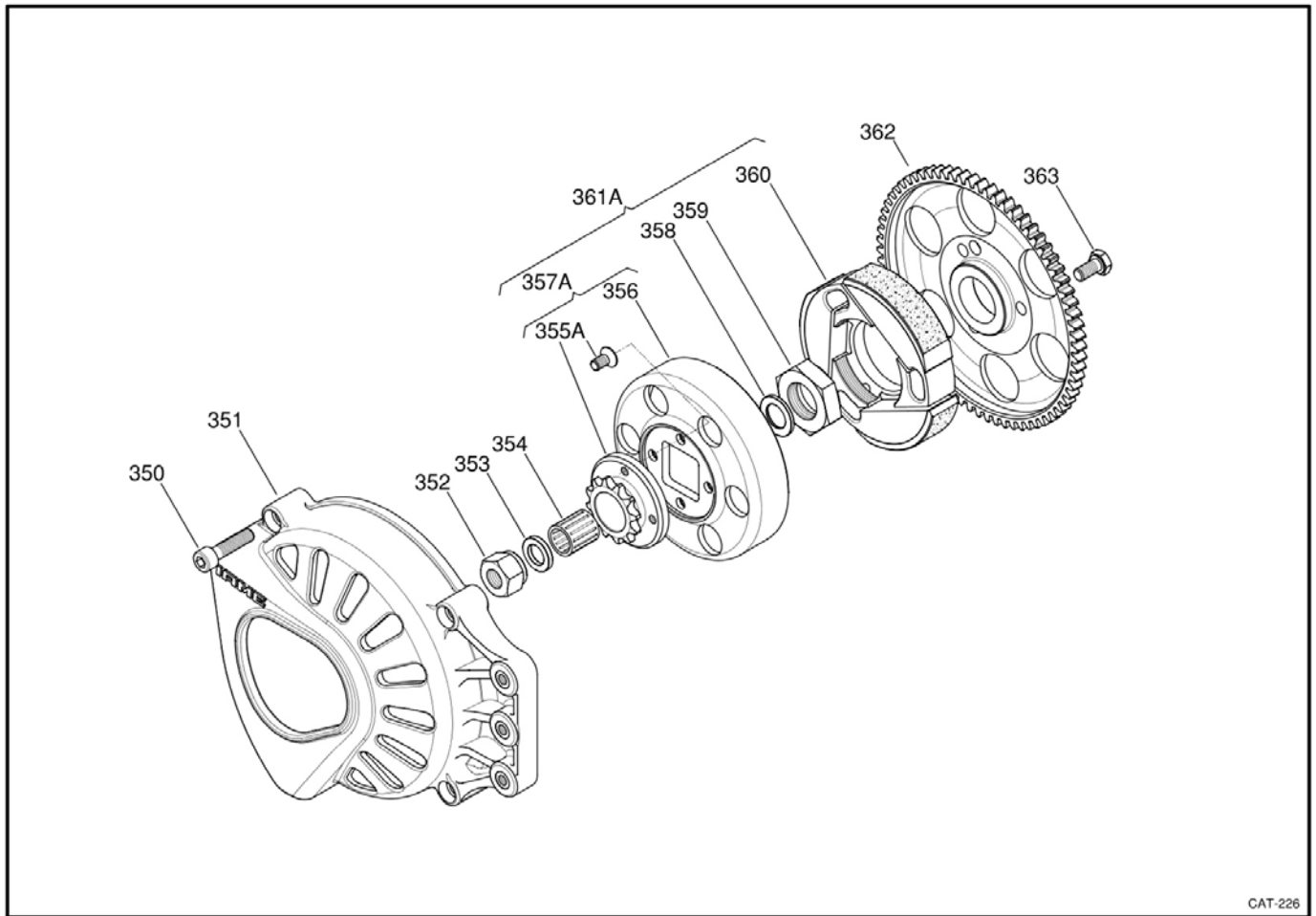
# ELECTRONIC IGNITION



## RICAMBI / SPARES

| POS  | COD         | DESCR                        | PRICE |
|------|-------------|------------------------------|-------|
| 250  | B-35805-A   | COIL GROUND CABLE            |       |
| 260  | 10561       | SPARK PLUG NGK BR9EG         |       |
| 260  | 10561-A     | SPARK PLUG NGK BR10EG        |       |
| 261  | 10544       | PVL SPARK CAP                |       |
| 270  | 00378-K     | 20 SELF LOCKING NUTS KIT M6  |       |
| 271  | 00302-K     | KIT 20 WASHERS M6            |       |
| 272  | B-35810-A   | COIL DAMPENNER               |       |
| 273  | X30125955   | SELETTRA COIL K              |       |
| 274  | 00034-K     | KIT OF 20 ALLEN SCREWS 5x25  |       |
| 275  | 00301-K     | KIT 20 WASHERS M5            |       |
| 276A | X30125950   | SELETTRA IGNITION X30        |       |
| 290  | A-60904A    | FIXING STRIP FOR BATTERY     |       |
| 291  | X30125900   | SPARE PART F                 |       |
| 292  | X30125905   | BATTERY SUPPORT              |       |
| 293  | X30125906-C | BATTERY SUPP. CLAMP W/SCREWS |       |
| 294  | X30125942   | FUSIBLE 5A X30               |       |
| 295  | X30125930C  | MINI POWER UNIT TYPE C       |       |
| 296  | X30125941   | RELAY X30                    |       |
| 297  | X30125936-C | STARTER KEYS ASSEMBLY        |       |
| 298  | A-60934A    | STARTER CABLE                |       |
| 299  | X30125935-C | KIT CABLES W/CONNECTORS      |       |
| 300  | X30125925   | VELCRO FIXING STRAP          |       |

# CLUTCH GROUP



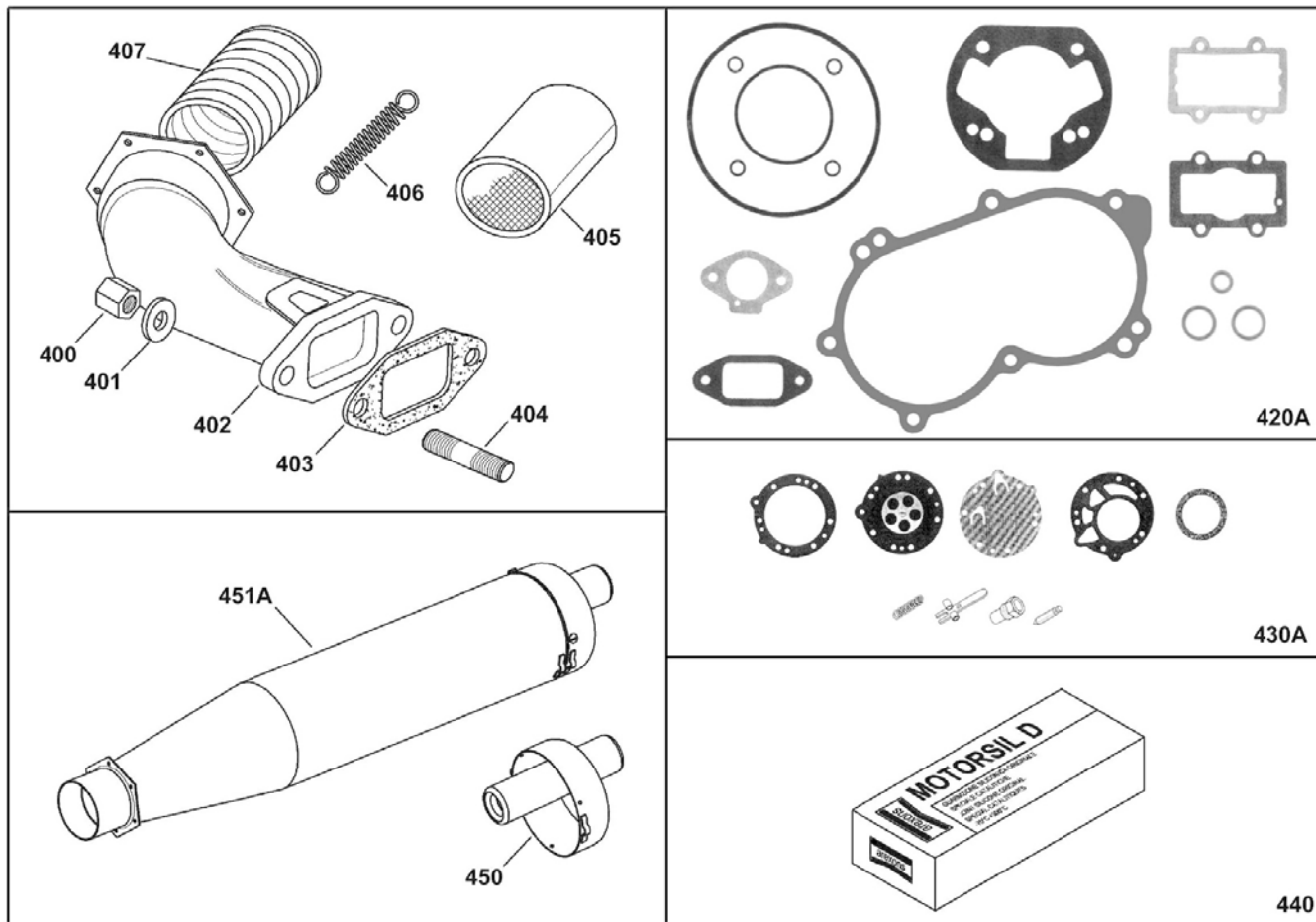
CAT-226

## RICAMBI / SPARES

| POS  | COD         | DESCR                         | PRICE |
|------|-------------|-------------------------------|-------|
| 350  | 00045-K     | 20 SOCKET H. SCREWS M6X25 KIT |       |
| 351  | X30125595   | CLUTCH GUARD X30              |       |
| 352  | D-75570     | STARTER NUT TaG               |       |
| 353  | D-75573     | EXTERNAL WASHER               |       |
| 354  | D-75598     | CLUTCH ROLLER CAGE TaG        |       |
| 355A | X30125554-C | SPROCKET Z10 W/SCREWS         |       |
| 355A | X30125555-C | SPROCKET Z11 W/SCREWS         |       |
| 355A | X30125556-C | SPROCKET Z12 W/SCREWS         |       |
| 355A | X30125557-C | SPROCKET Z13 W/SCREWS         |       |
| 356  | X30125550   | CLUTCH DRUM X30               |       |
| 357A | X30125550-C | DRUM W/SPROCK. Z10 X30        |       |
| 357A | X30125551-C | DRUM W/SPROCK. Z11 X30        |       |
| 357A | X30125552-C | DRUM W/SPROCK. Z12 X30        |       |
| 358  | D-75565     | THRUST INT.WASHER H=1,8mm     |       |
| 359  | X30125560   | RING LOCKING NUT              |       |
| 360  | X30125840   | PADDED HUB X30                |       |
| 361A | X30125840-C | CLUTCH GROUP Z10 X30          |       |
| 361A | X30125841-C | CLUTCH GROUP Z11 X30          |       |
| 361A | X30125842-C | CLUTCH GROUP Z12 X30          |       |
| 362  | X30125830   | STARTER DR.WHEEL Z70 X30      |       |
| 363  | 00161-K     | KIT OF 20 HEX. SCREWS 6x12    |       |



# EXHAUST GROUP & GASKETS SET

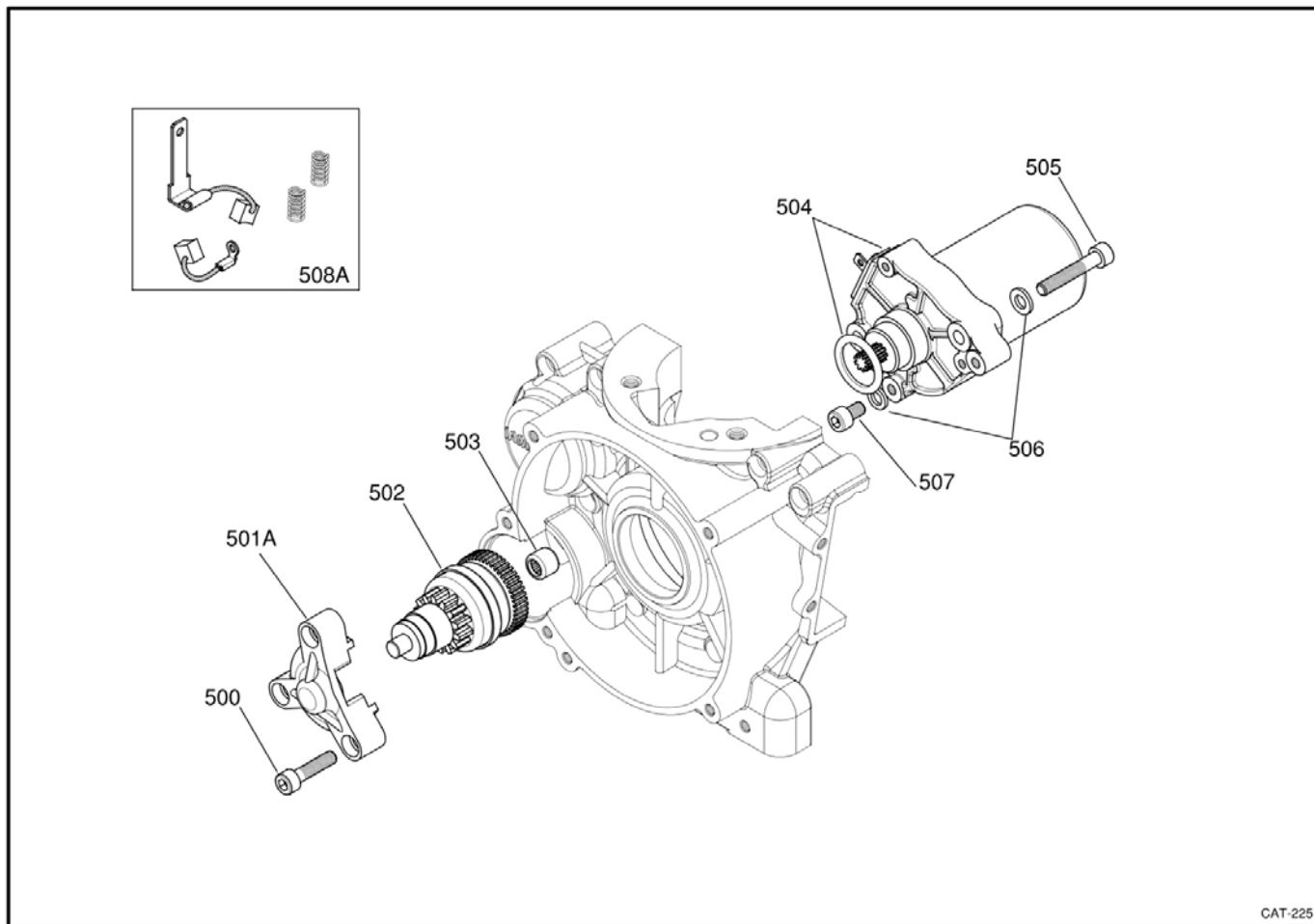


CAT-231

## RICAMBI / SPARES

| POS  | COD         | DESCR                       | PRICE |
|------|-------------|-----------------------------|-------|
| 400  | B-71662     | 8mm EXHAUST NUT             |       |
| 401  | 00332-K     | KIT OF 20 ELAST. WASHERS M8 |       |
| 402  | X30125365   | EXHAUST PIPE X30            |       |
| 403  | B-75360     | EXHAUST GASKET              |       |
| 404  | B-75355     | EXHAUST STUDBOLT 8x36       |       |
| 405  | A-60736     | SILICONE SHEATH             |       |
| 406  | 10784       | FLEXIBLE SPRING L=65        |       |
| 407  | 10711-B     | FLEXIBLE L=13 cm.           |       |
| 420A | X30125990   | GASKETS SET X30             |       |
| 430A | 10948A-R194 | KIT CARB. HB27 VALV D. 2,3  |       |
| 440  | 00602       | LIQUID GASKET AREXON        |       |
| 450  | X30125721   | SILENCER END X30            |       |
| 451A | X30125718   | SILENCER X30                |       |

# ELECTRIC STARTER GROUP

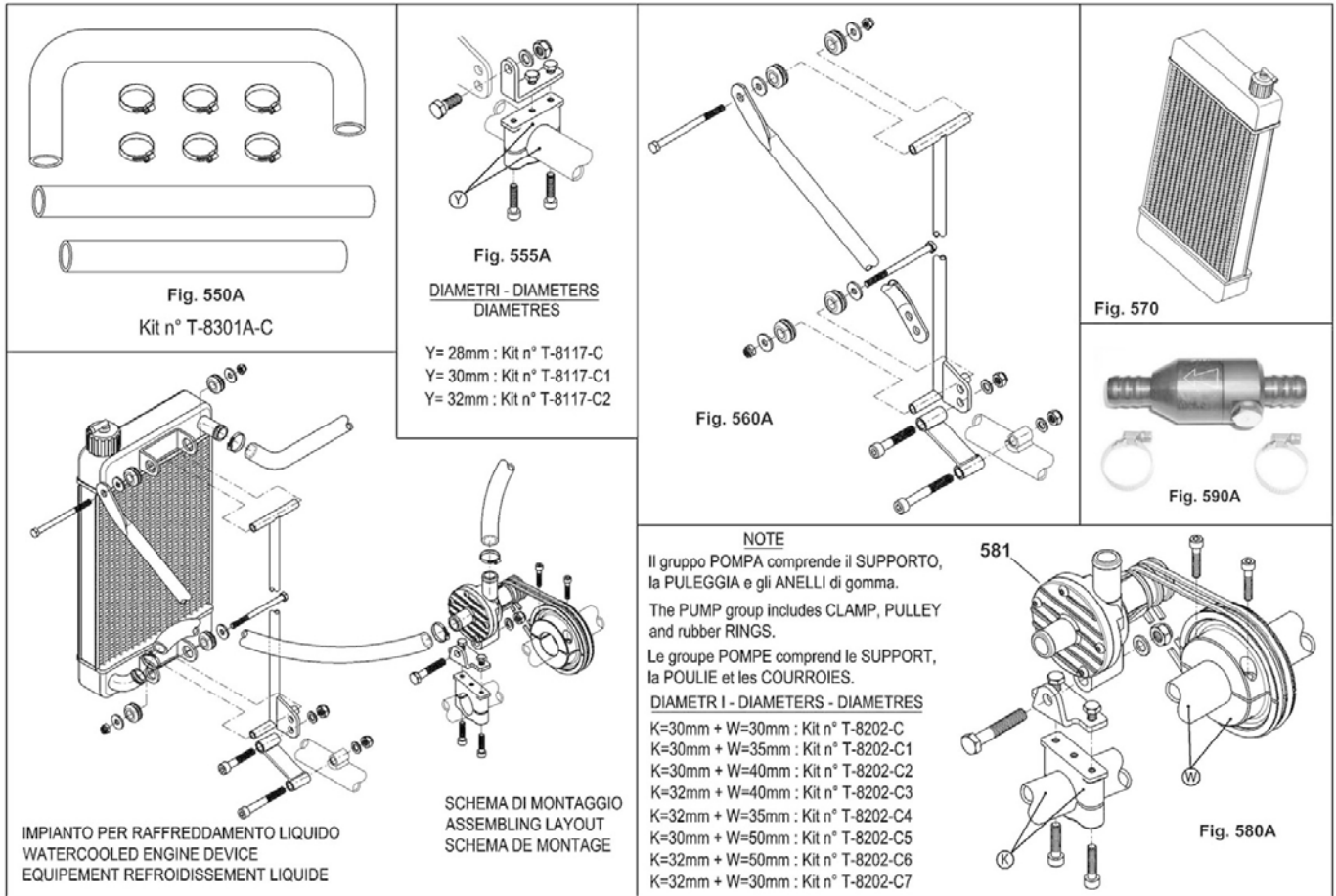


CAT-225

## RICAMBI / SPARES

| POS  | COD         | DESCR                         | PRICE |
|------|-------------|-------------------------------|-------|
| 500  | 00045-K     | 20 SOCKET H. SCREWS M6X25 KIT |       |
| 501  | A-60870-C   | KIT COUNTERSHAFT SUPP.        |       |
| 502  | A-120855A   | TAG STARTER COUNTERSHAFT      |       |
| 503  | A-60865     | ROLLER CAGE TaG               |       |
| 504  | A-120850A-C | TaG STARTER                   |       |
| 505  | 00047-K     | KIT OF 20 ALLEN SCREWS 6x35   |       |
| 506  | 00302-K     | KIT 20 WASHERS M6             |       |
| 507  | 00059-K     | 20 FIXING CABLE SCREWS KIT    |       |
| 508A | A-60852A-C  | KIT OF BRUSHES FOR STARTER    |       |

# WATER COOLING SYSTEM

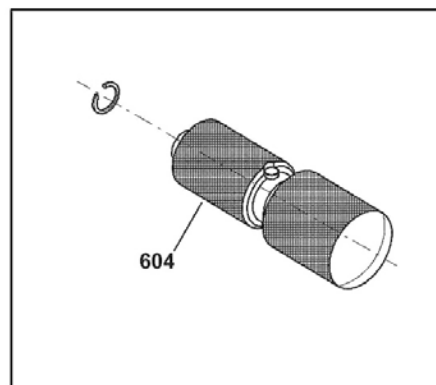
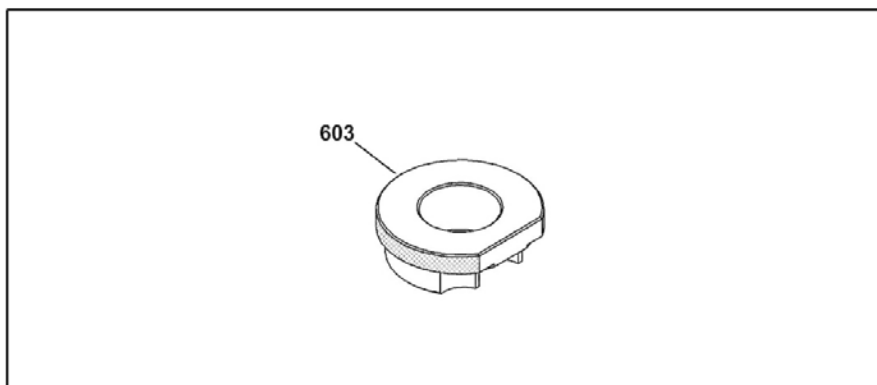
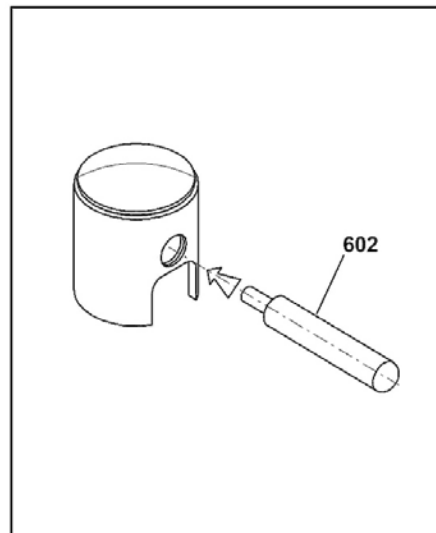
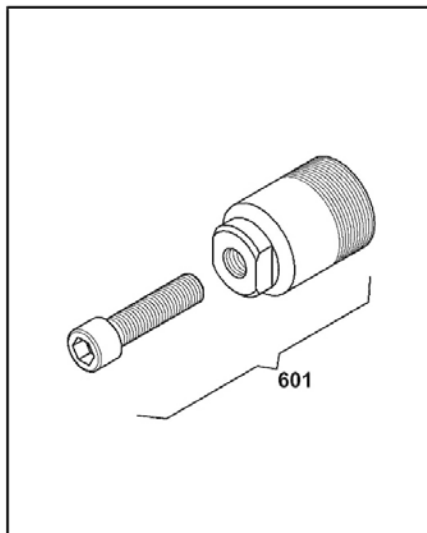
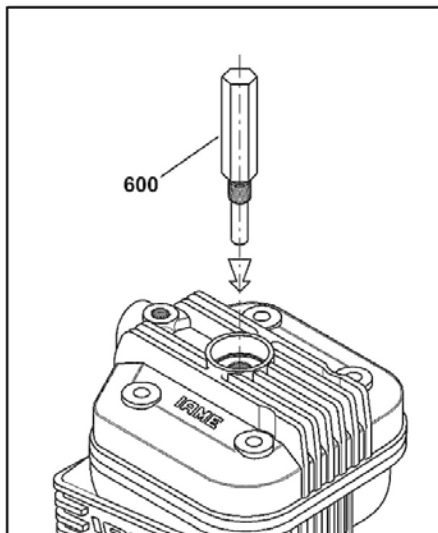


CAT-244/A

## RICAMBI / SPARES

| POS  | COD       | DESCR                    | PRICE |
|------|-----------|--------------------------|-------|
| 550A | T-8301B-C | HOSES COMPLETE KIT n.t.  |       |
| 555A | T-8117-C  | RADIATOR CLAMP KIT mm 28 |       |
| 555A | T-8117-C1 | RADIATOR CLAMP KIT mm 30 |       |
| 555A | T-8117-C2 | RADIATOR CLAMP KIT mm 32 |       |
| 560A | T-8133-C  | RADIATOR SUPPORT KIT     |       |
| 560A | T-8135-C  | RADIATOR LONG SUPP. KIT  |       |
| 570  | T-8000B   | RADIATOR                 |       |
| 570  | T-8000B   | RADIATOR L=410mm         |       |
| 580A | T-8202-C  | PUMP GROUP mm 30/30      |       |
| 580A | T-8202-C1 | PUMP GROUP mm 30/35      |       |
| 580A | T-8202-C2 | PUMP GROUP mm 30/40      |       |
| 580A | T-8202-C3 | PUMP GROUP mm 32/40      |       |
| 580A | T-8202-C4 | PUMP GROUP mm 32/35      |       |
| 580A | T-8202-C5 | PUMP GROUP mm 30/50      |       |
| 580A | T-8202-C6 | PUMP GROUP mm 32/50      |       |
| 580A | T-8202-C7 | PUMP GROUP mm 32/30      |       |
| 581  | T-8202    | WATER PUMP               |       |
| 590A | T-8400-C  | THERMOSTAT 50° COMPL.    |       |

# PULLER & TOOLS

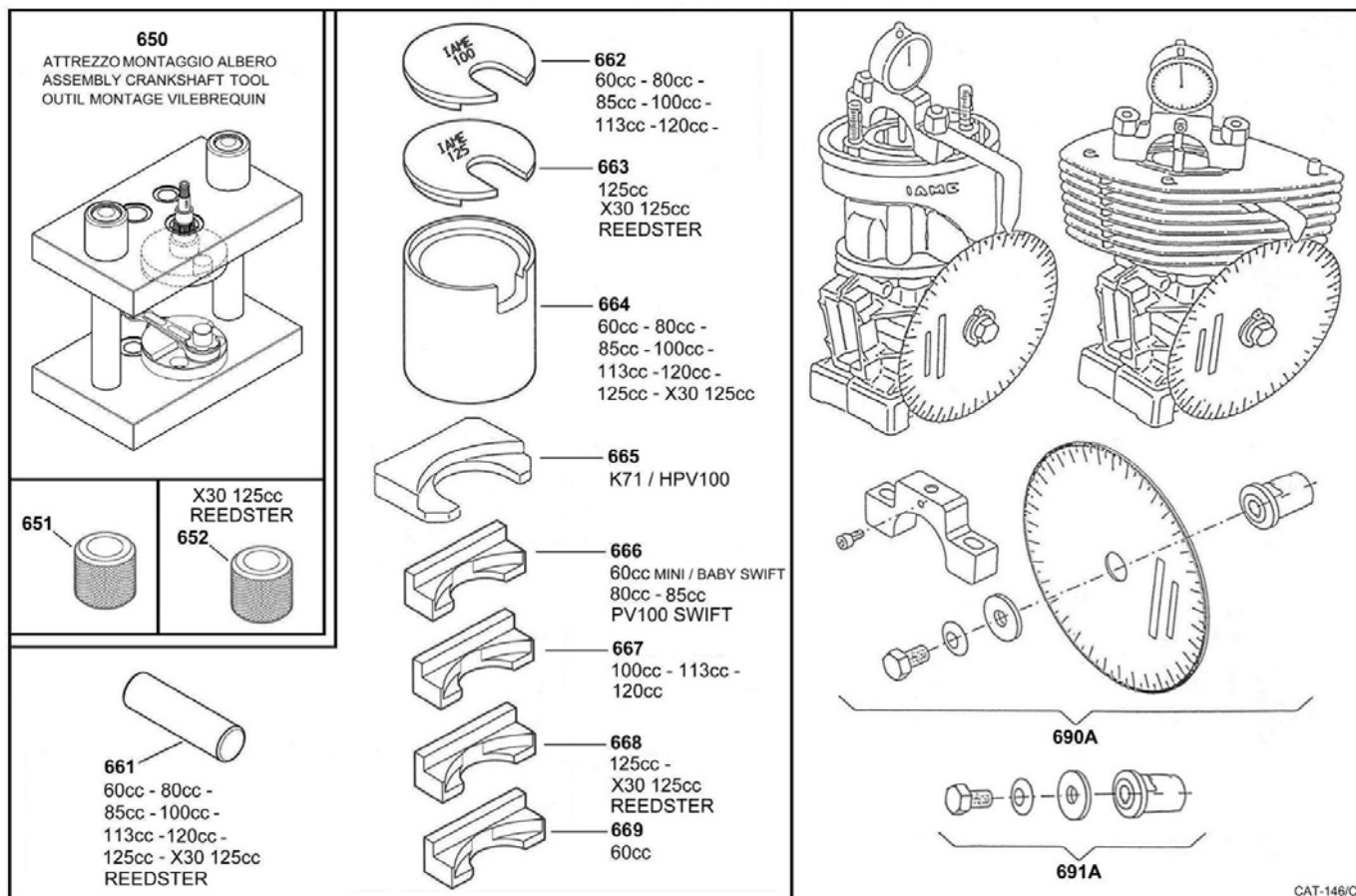


CAT-229

## RICAMBI / SPARES

| POS   | COD     | DESCR                          | PRICE |
|-------|---------|--------------------------------|-------|
| 600   | 10271   | PISTON STROKE LOCKER           |       |
| 601   | 10272-C | CLUTCH PULLER                  |       |
| 601/B | 10159   | CLUTCH PULLER WRENCH 12mm      |       |
| 602   | 10200   | PISTON PIN PUNCH 125cc         |       |
| 603   | S884    | STARTER DRIVE WHEEL HOLD. TOOL |       |
| 604   | 10120   | CIRCLIP ASSEMBLING TOOL        |       |

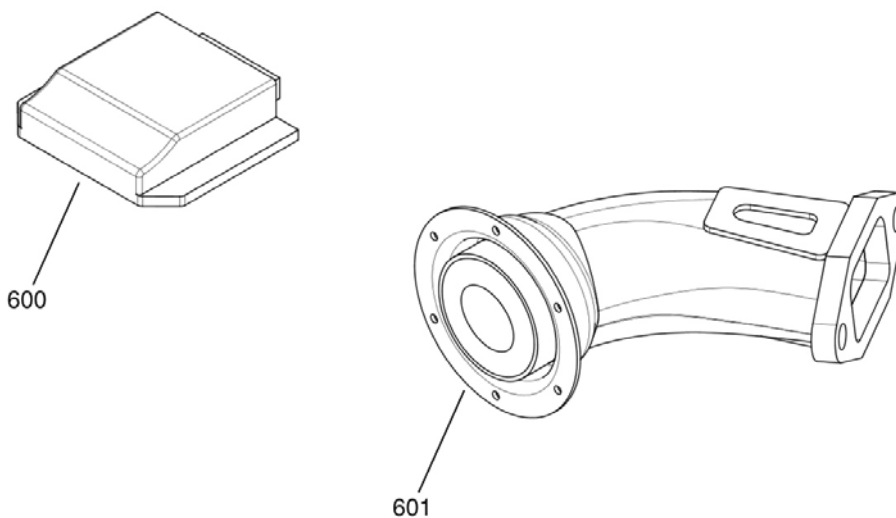
# Cranksh.Ass./Disass. Timing control group



## RICAMBI / SPARES

| POS  | COD     | DESCR                       | PRICE |
|------|---------|-----------------------------|-------|
| 650  | 10110A  | CRANKSHAFT ASSY TOOL        |       |
| 652  | 10150A  | CRANK-PIN BUSH mm20         |       |
| 661  | 10107   | CRANK-PIN PUSHER            |       |
| 663  | 10104A  | CRANKSHAFT PLATE 125cc      |       |
| 664  | 10100   | CRANKSH. DISASSY SUPPORT    |       |
| 668  | 10106   | CRANKSHAFT INSERT 125cc-SUP |       |
| 690A | 10820A  | TIMING GROUP TaG/REEDSTER   |       |
| 691A | 10828-C | TAG COMPLETE TIMING GROUP   |       |

# SPARE PARTS X30 JUNIOR

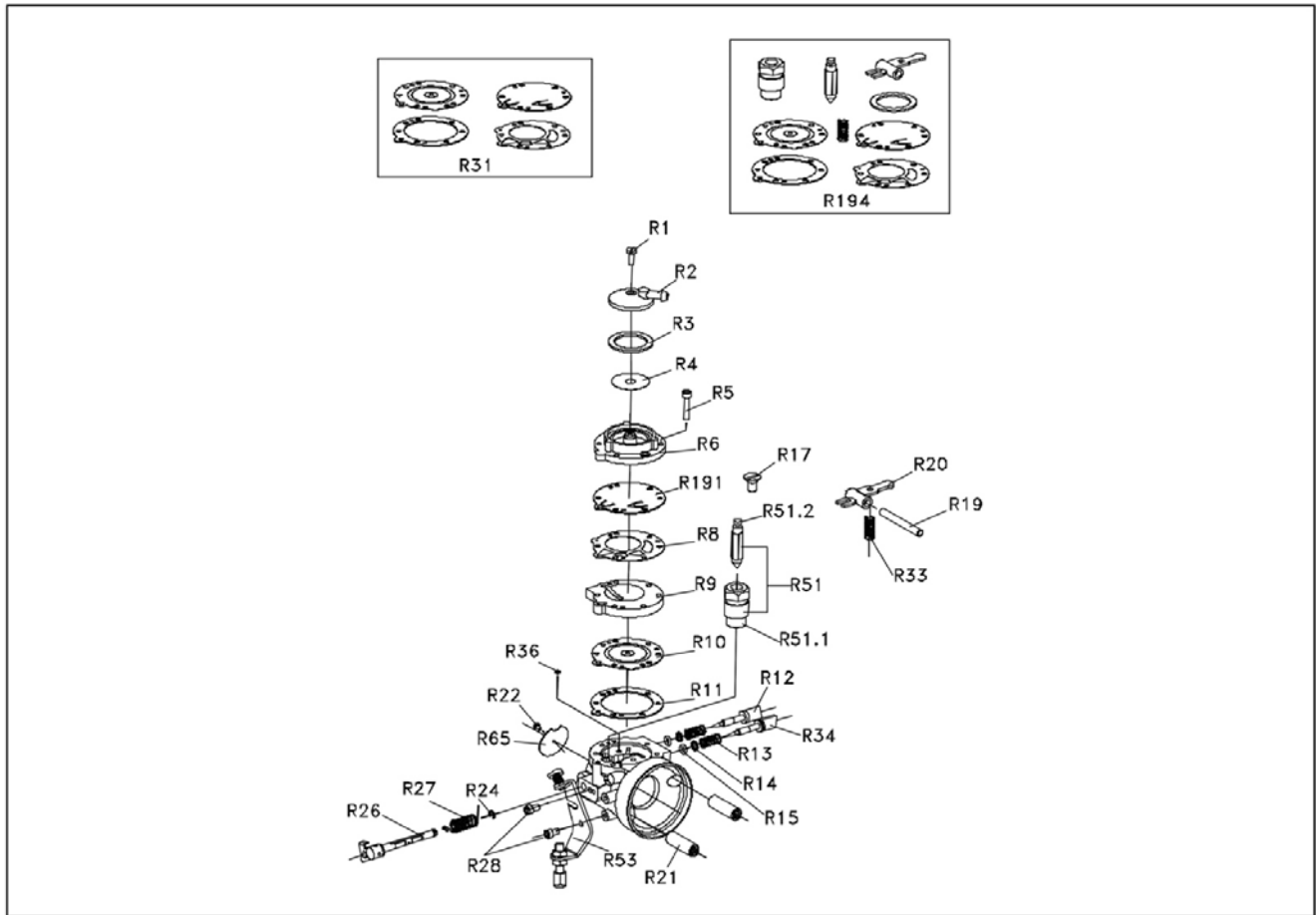


CAT-314

## RICAMBI / SPARES

| POS | COD        | DESCR                          | PRICE |
|-----|------------|--------------------------------|-------|
| 600 | X30125930C | MINI POWER UNIT TYPE C         |       |
| 601 | X30125366  | EXHAUST PIPE X30 W/REST .29mm. |       |
| 601 | X30125367  | EXHAUST PIPE X30 W/REST. 31mm  |       |

# CARBURETOR HB 27 2011



CAT-315/A

## RICAMBI / SPARES

| POS  | COD         | DESCR                          | PRICE |
|------|-------------|--------------------------------|-------|
| R001 | 10901       | COVER SCREW TRYTON HB27        |       |
| R002 | 10900       | FILTER COVER TRYTON HB27       |       |
| R003 | 10948A-R3   | COVER GASKET                   |       |
| R004 | 10948A-R4   | FUEL SCREEN FILTER HB27        |       |
| R005 | 10948A-R5   | BODY SCREW HB27                |       |
| R008 | 10948A-R8   | PUMP DIAPHRAGM GASKET          |       |
| R009 | 10948A-R9   | LOWER COVER                    |       |
| R010 | 10948A-R10  | DIAPHRAGM HB27                 |       |
| R011 | 10953       | MAIN DIAPHRAGM GASKET          |       |
| R012 | 10948A-R12  | IDLE SETTING SCREW             |       |
| R013 | 10948A-R13  | SPRING - ADJUSTMENT SCREW      |       |
| R014 | 10948A-R14  | NEEDLE WASHER                  |       |
| R015 | 10948A-R15  | O'RING ADJUSTMENT SCREW        |       |
| R017 | 10948A-R17  | LEVER SCREW                    |       |
| R019 | 10948A-R19  | LEVER PIN                      |       |
| R020 | 10948A-R20  | LEVER                          |       |
| R021 | 10897       | STUDBOLT TRYTON HB27 CARB.     |       |
| R022 | 10948A-R22  | BUTTERFLY SCREW                |       |
| R024 | 10948A-R24  | LOCKER RING                    |       |
| R026 | 10954       | SHAFT CARB. TRYTON HB27        |       |
| R027 | 10956       | SPRING CARB. SHAFT TRYTON HB27 |       |
| R028 | 10948A-R28  | BRACKET SCREW                  |       |
| R031 | 10948A-R31  | GASKET KIT                     |       |
| R033 | 10948A-R33  | ROCKER ARM SPRING              |       |
| R034 | 10948A-R34  | MAXIMUM SETTING SCREW          |       |
| R051 | 10948A-R51  | NEEDLE VALVE                   |       |
| R053 | 10948A-R53  | SPRING HOLDER BRACKET          |       |
| R065 | 10898       | BUTTERFLY FOR TRYTON CARB.     |       |
| R191 | 10948A-R191 | PUMP DIAPHRAGM                 |       |
| R194 | 10948A-R194 | KIT CARB. HB27 VALV D. 2,3     |       |