

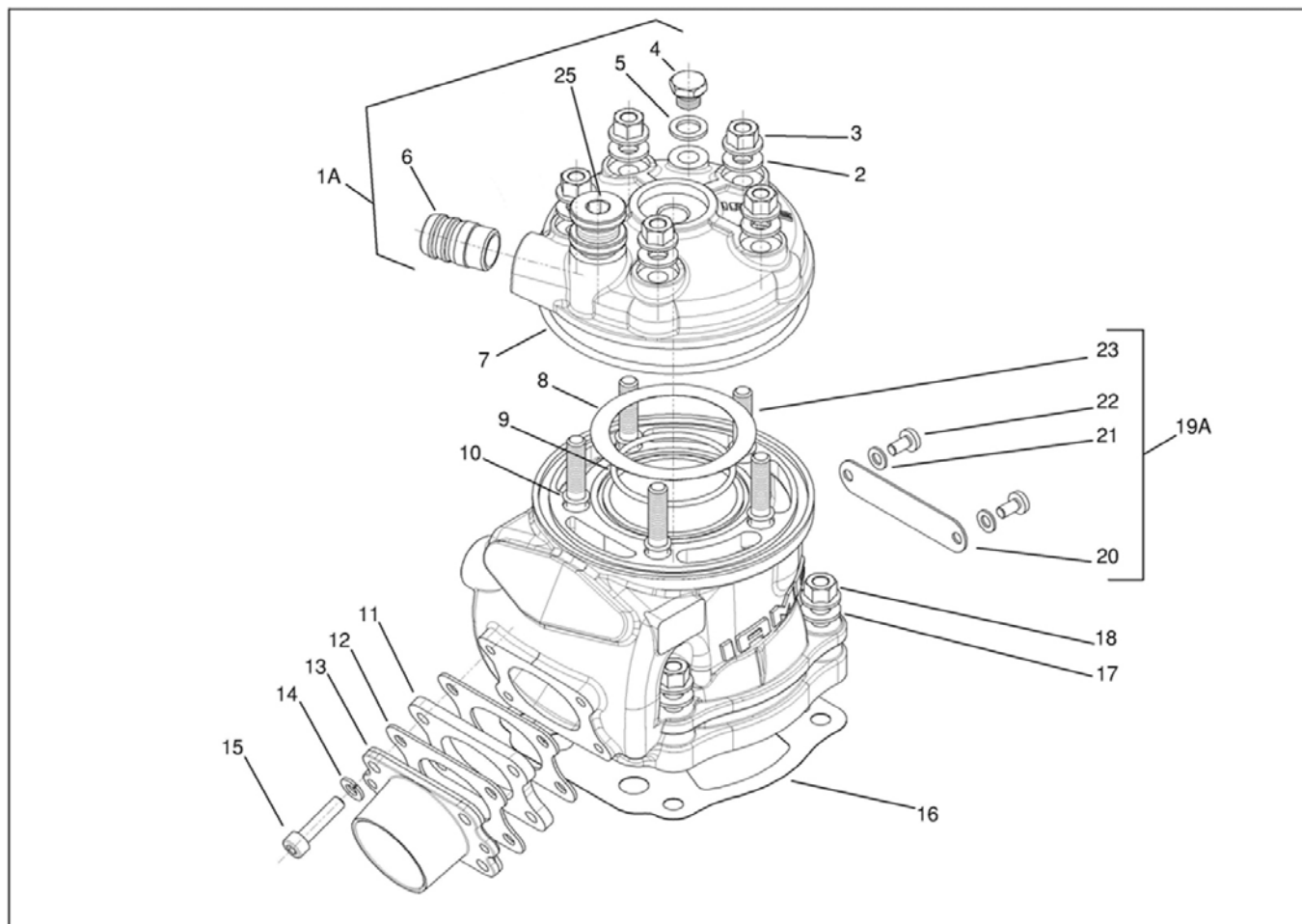
**IAME**

The heart of kart

**PARILLA - X30 SHIFTER TaG '11**



# HEAD AND CYLINDER

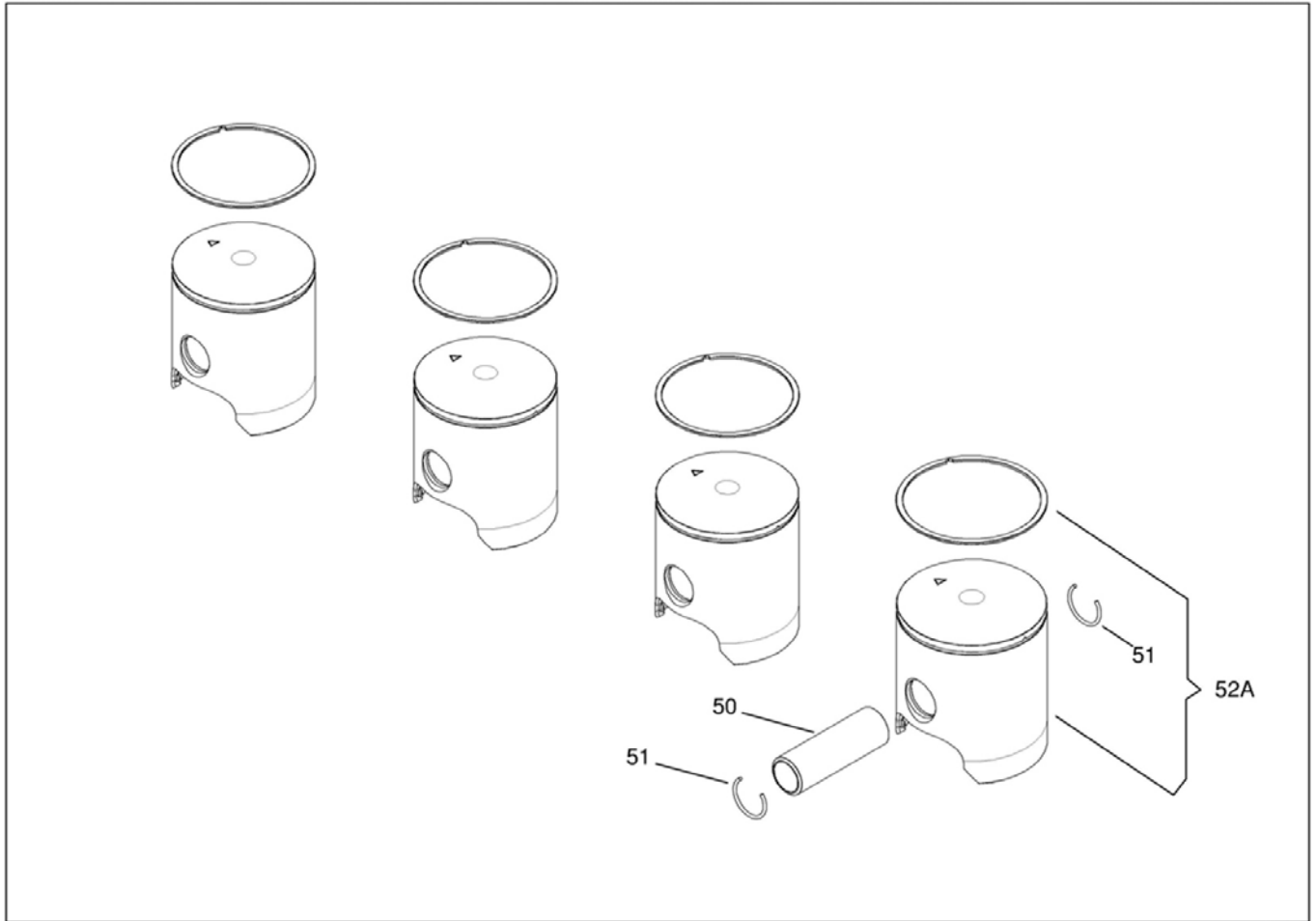


KT-002

## RICAMBI / SPARES

POS	COD	DESCR	PRICE
001A	IZA-40101-C	CYLINDER HEAD SHIFTER KZ'11	
002	00303-K	KIT OF 20 WASHERS M8	
003	00363-K	KIT 20 REEDSTER /KZ HEAD NUT	
004	B-25840	TEMP. GAUGE PLUG	
005	B-25845	TEMP. GAUGE PLUG GASKET	
006	IFA-40500	WATER PIPE FITT. REEDST./KZ	
007	IFA-40300	OUT HEAD GASKET OR REEDS. / KZ	
008	IFA-40200-0.05	HEAD GASKET CU 0.05 REED./KZ	
008	IFA-40200-0.10	HEAD GASKET CU 0.10 REED./KZ	
008	IFA-40200-0.20	HEAD GASKET CU 0.20 REED./KZ	
009	IFA-42200	HEAD GASKET INT. OR REEDST/KZ	
010	B-25825	TIE-ROD GASKET OR STUD-BOLT	
011	IFH-20500	EXHAUST SPACER REEDST./KZ	
012	IFA-20500	EXHAUST PIPE GASKET REEDST/KZ	
013	IFH-02000	EXHAUST PIPE FITTING REEDS./KZ	
014	00331-K	KIT 20 EXHAUST WASHERS M6	
015	00045-K	20 SOCKET H. SCREWS M6X25 KIT	
016	IZB-10400-0.1	CYLINDER BASE GASKET KZ 1/10	
016	IZB-10400-0.2	CYLINDER BASE GASKET KZ 2/10	
016	IZB-10400-0.3	CYLINDER BASE GASKET KZ 3/10	
016	IZB-10400-0.4	CYLINDER BASE GASKET KZ 4/10	
017	00303-K	KIT OF 20 WASHERS M8	
018	IFA-20300	CYL. UNDERSIZE NUT REEDST./KZ	
019A	IZA-01000	CYLINDER SHIFTER TaG	
020	IZB-40500	SHIFTER ENGINE PLATE	
021	00301-K	KIT 20 WASHERS M5	
022	00257-K	20 SCREWS KIT M5x10	
023	IFA-20200	FIXING HEAD STUDBOLT REED/XTR	

# PISTON

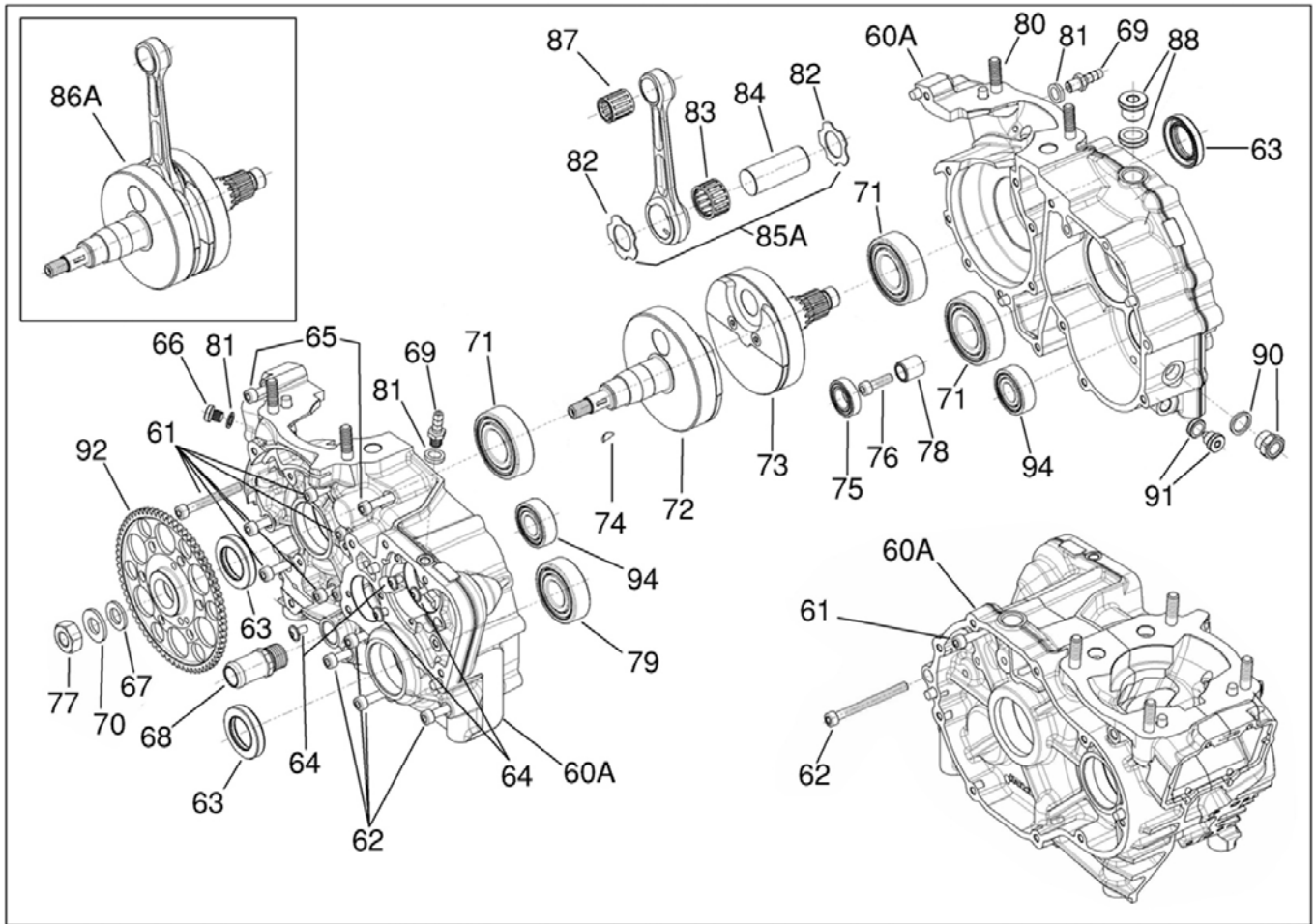


KT-001

## RICAMBI / SPARES

POS	COD	DESCR	PRICE
050	IFA-20950	PISTON PIN REEDSTER/KZ	
051	IFA-21050	CIRCLIP REEDSTER/KZ	
052A	IZA-20600A-53.81CR	PISTON KZ 53.81r	
052A	IZA-20600A-53.81CV	PISTON KZ 53.81v	
052A	IZA-20600A-53.83CR	PISTON KZ 53.83r	
052A	IZA-20600A-53.83CV	PISTON KZ 53.83v	
052A	IZA-20600A-53.85CR	PISTON KZ 53.85r	
052A	IZA-20600A-53.85CV	PISTON KZ 53.85v	
052A	IZA-20600A-53.87CR	PISTON KZ 53.87r	
052A	IZA-20600A-53.87CV	PISTON KZ 53.87v	
052A	IZA-20600A-53.89CR	PISTON KZ 53.89r	
052A	IZA-20600A-53.89CV	PISTON KZ 53.89v	
052A	IZA-20600A-53.91CR	PISTON KZ 53.91r	
052A	IZA-20600A-53.91CV	PISTON KZ 53.91v	
052A	IZA-20600A-53.93CR	PISTON KZ 53.93r	
052A	IZA-20600A-53.93CV	PISTON KZ 53.93v	
052A	IZA-20600A-53.95CR	PISTON KZ 53.95r	
052A	IZA-20600A-53.95CV	PISTON KZ 53.95v	
052A	IZA-20600A-53.97CR	PISTON KZ 53.97r	
052A	IZA-20600A-53.97CV	PISTON KZ 53.97v	
052A	IZA-20600A-53.99CR	PISTON KZ 53.99r	
052A	IZA-20600A-53.99CV	PISTON KZ 53.99v	

# CRANKCASE & CRANKSHAFT

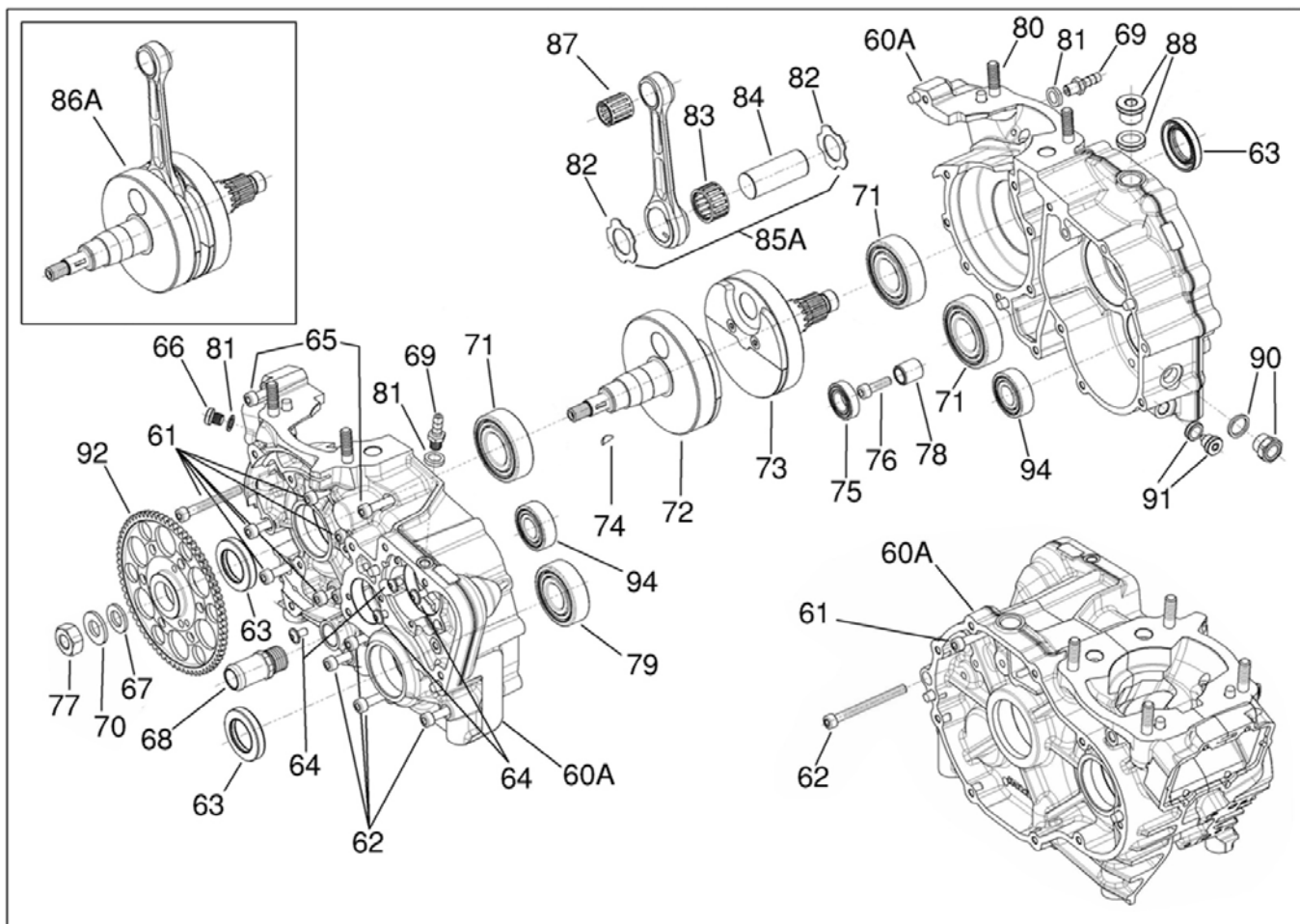


KT-003

## RICAMBI / SPARES

POS	COD	DESCR	PRICE
060A	IZB-01040-C	CRANKCASE X30 SHIFTER TaG	
061	00050-K	KIT OF 20 ALLEN SCREWS 6x50	
062	00053-K	20 SCREWS KIT M6X65	
063	X30125425A	OIL SEAL MAGN./DRIVE SIDE	
064	00280-K	20 SCREWS KIT W/FLANGE M5x10	
065	00048-K	KIT OF 20 ALLEN SCREWS 6x40	
066	X30125490	PRESSURE PLUG	
067	00342-K	KIT 20 WASHERS -10,5x18x0,8	
068	IFA-40500	WATER PIPE FITT. REEDST./KZ	
069	D-95800	PRESSURE FITTING	
070	00305-K	KIT OF 20 WASHERS M10	
071	35396-A	BALL BEARING 6205 C4	
072	IZC-30140	HALFCRANK. SHIFTER IGNIT. SIDE	
073	IZC-20140	HALFCRANKSHAFT DRIVE SIDE	
074	11715	SHAFT END/SPROCKET/MAGNETO KEY	
075	IZF-90455	BALL-BEARING 61902 T9C4	
076	00044-K	KIT 20 ALLEN SCR. CYL. H. 6x20	
077	00382	NUT M10x1	
078	IZF-22300	SHIFTING DRUM SUPPORT	
079	10400-D	BALL BEARING 6204 C4	
080	IFA-20200	FIXING HEAD STUDBOLT REED/XTR	
081	B-71805	PRESSURE Cu FITT. GASKET	
082	X30125436	SILVER BRONZE WASHER	
083	X30125431	BIG END CAGE	
084	X30125450	CRANKPIN 20x48.8	
085A	IZC-50100-C	CON-ROD COMPLETE 110mm	
086A	IZC-00140	CRANKSHAFT X30 SHIFTER TAG	
087	IFC-50350	SMALL END CAGE REEDSTER/KZ	
088	IZF-90500	PLUG TCE M16x1.5	
090	IZB-90000	OIL LEVEL GAUGE	

# CRANKCASE & CRANKSHAFT

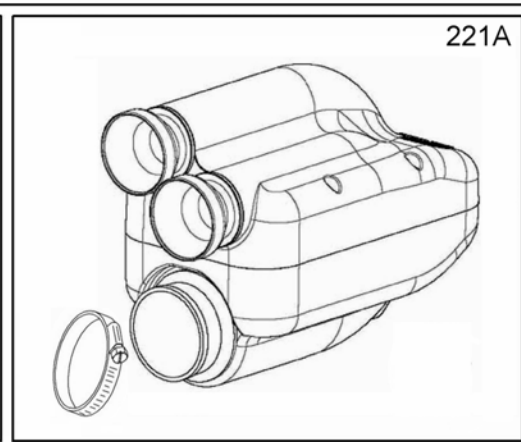
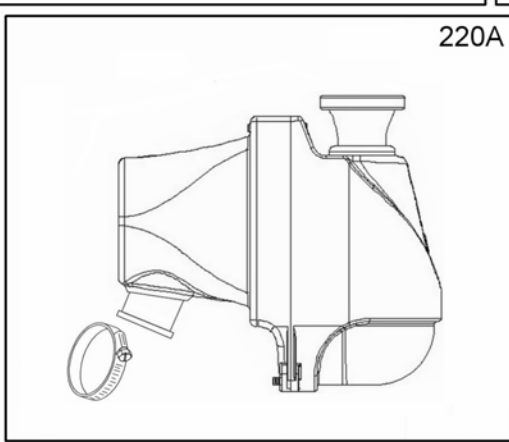
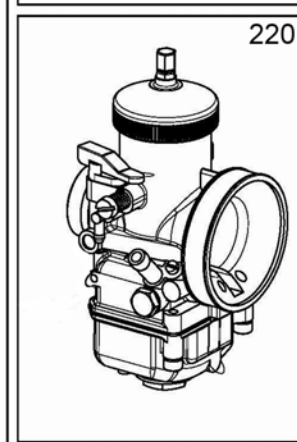
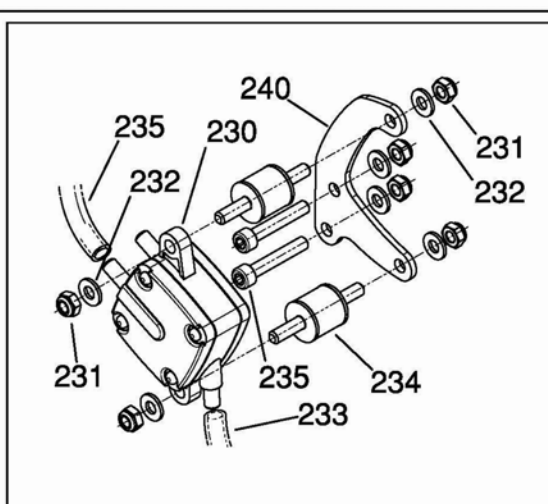
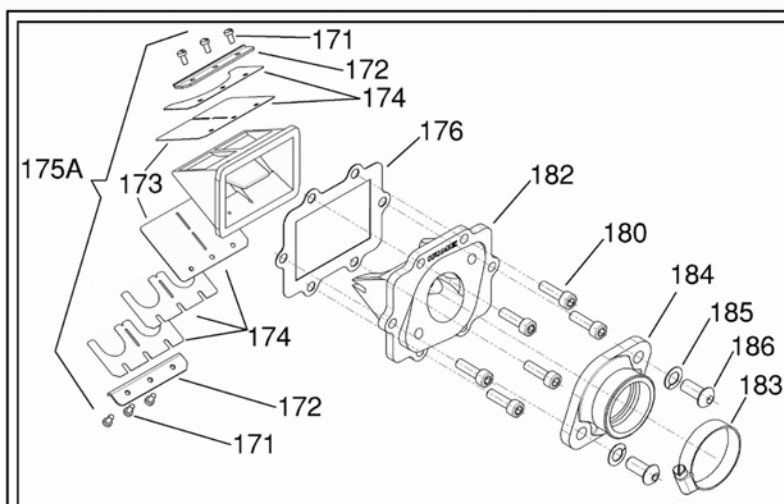


KT-003

## RICAMBI / SPARES

POS	COD	DESCR	PRICE
091	IZF-90505	MAGNETIC PLUG TCEM M10x1	
092	IZI-30040	STARTER GEAR X30-SHIFTER TaG	
094	IMB-20100	BALL BEARING 6202 T1XC4	

# INLET TAG

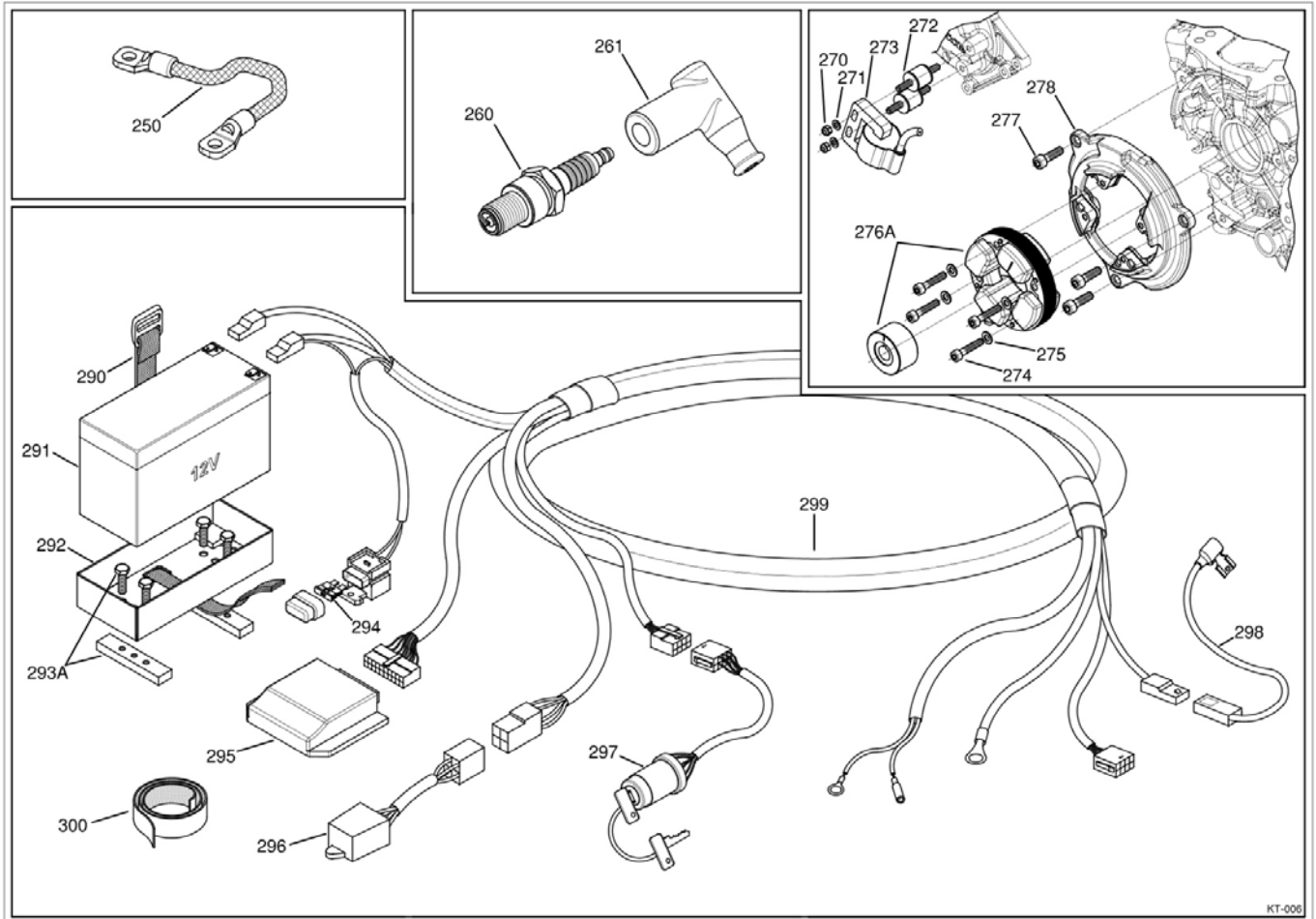


KT-004

## RICAMBI / SPARES

POS	COD	DESCR	PRICE
171	10380	REEDS SCREW	
172	IZG-20200	REED PETALS LOCKING PLATE	
173	IZG-20300-C1	CARBO REED PETAL KIT KZ	
174	IZG-20300-C	CARBO REED PETAL KIT KZ	
175A	IZG-02000	REED VALVE ASSEMBLY KZ	
176	IZB-41100	CONVEYOR GASKET KZ	
180	00044-K	KIT 20 ALLEN SCR. CYL. H. 6x20	
182	IZB-41040	CONVEYOR X30 SHIFTER TaG	
183	IFG-31100	CLAMP REEDSTER/XTR	
184	IFG-30900	CARB.MANIFOLD XTR KF4	
185	00322-K	20 WASHERS KIT M8	
186	00269-K	20 SCREWS KIT TBEI M8x16	
220	IFG-00100K	DELL'ORTO CARBURET. VHSH 30CS	
220A	IZG-90005	AIR FILTER APE 1AG	
221A	IZG-90005A	INLET SILENCER NOX R&R 30mm	
221A	IZG-90006	INLET SILENCER NOX R&R 23mm	
230	IZG-90000	FUEL PUMP PAIOLI	
230	IZG-90001	FUEL PUMP	
231	00378-K	20 SELF LOCKING NUTS KIT M6	
232	00302-K	KIT 20 WASHERS M6	
233	A-61810-A	PRESSURE FITT. TUBE 20cm	
234	IFG-40800	DAMPENER REEDSTER/XTR/MINI	
235	00047-K	KIT OF 20 ALLEN SCREWS 6x35	
240	IZG-40700	PAIOLI FUEL PUMP SUPPORT	
240	IZG-40800	MIKUNI FUEL PUMP SUPPORT PLATE	

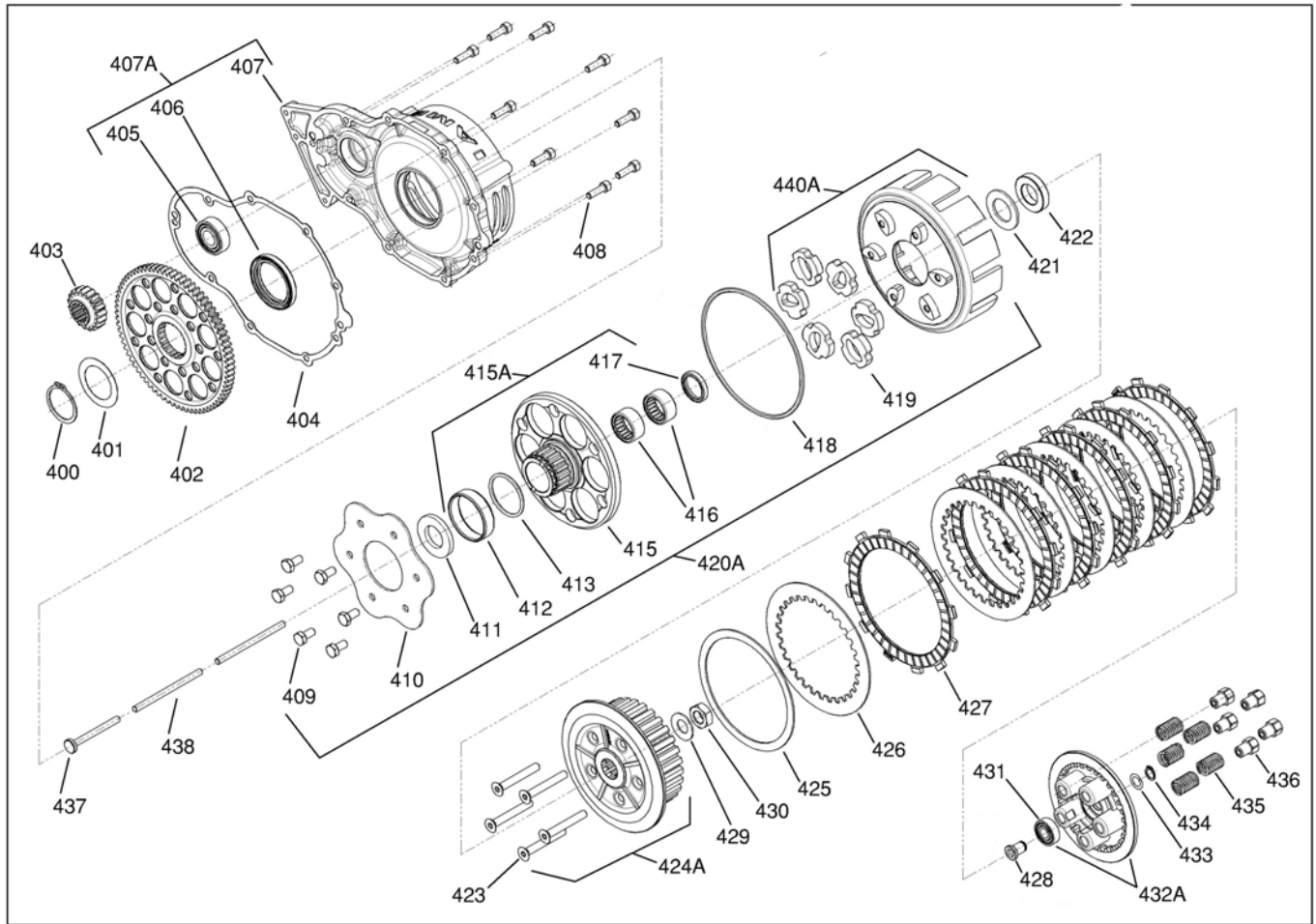
# TaG IGNITION AND WIRING



## RICAMBI / SPARES

POS	COD	DESCR	PRICE
250	B-35805-A	COIL GROUND CABLE	
260	10561-A	SPARK PLUG NGK BR10EG	
261	10544	PVL SPARK CAP	
270	00376-K	20 SELF LOCK.NUTS KIT M5	
271	00301-K	KIT 20 WASHERS M5	
272	B-35810	COIL DAMPENER PVL	
273	X30125955	SELETTA COIL K	
274	00034-K	KIT OF 20 ALLEN SCREWS 5x25	
275	00301-K	KIT 20 WASHERS M5	
276A	X30125950	SELETTA IGNITION X30	
277	00044-K	KIT 20 ALLEN SCR. CYL. H. 6x20	
278	IZB-40440	DIGITAL K IGNITION SUPPORT	
290	A-60904A	FIXING STRIP FOR BATTERY	
291	X30125900	SPARE PART F	
292	X30125905	BATTERY SUPPORT	
293A	X30125906-C	BATTERY SUPP. CLAMP W/SCREWS	
294	X30125942	FUSIBLE 5A X30	
295	X30125930Z1	X30 SHIFTER TAG DIG- POWER BOX	
296	IFE-05200	STARTER RELAY n.t.	
297	X30125936-C	STARTER KEYS ASSEMBLY	
298	A-60934A	STARTER CABLE	
299	IFE-05000	KIT CABLES W/CONNECT.	
300	X30125925	VELCRO FIXING STRAP	

# CLUTCH GROUP



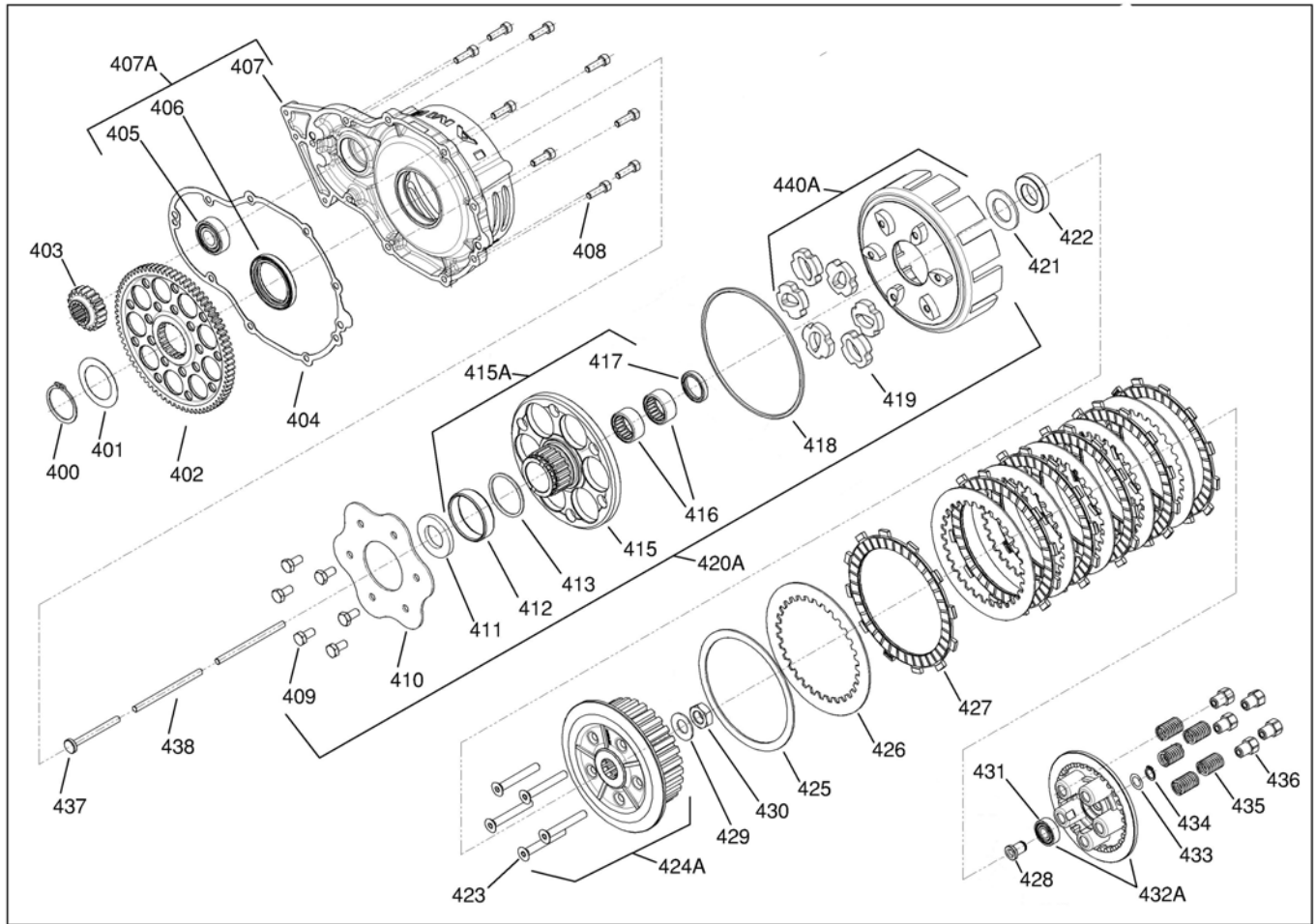
KT-007

## RICAMBI / SPARES

POS	COD	DESCR	PRICE
400	IZF-90070	SEEGER RING A35 DIN471	
401	IZF-90060	SAFETY CONE SPRING	
402	IZF-02400	PRIMARY DRIVEN GEAR	
403	IZC-22400	PRIMARY TRANSMISS. SPROCKET	
404	IZB-40300	PRIMARY TRANSM. COVER GASKET	
405	IMB-20100	BALL BEARING 6202 T1XC4	
406	IZF-90010	PRIMARY TRANSM. OIL SEAL	
407A	IZB-40200-C	COVER CLUTCH SIDE KZ COMPL.	
408	00044-K	KIT 20 ALLEN SCR. CYL. H. 6x20	
409	00161-K	KIT OF 20 HEX. SCREWS 6x12	
410	IZF-00900	SHOCK ABSORBER PLATE	
411	IZF-90080	SPACER RING PS 22x32x1	
412	IZF-01100	OIL SEAL BUSH	
413	IZF-90030	O'RING 3131 FPM 75	
415A	IZF-01000-C	COMPL. SHOCK ABSORBER HUB	
416	IZF-90000	NEEDLE BEARING	
417	IZF-90015	OIL SEAL G20x26x4B	
418	IZF-90035	OIL SEAL	
419	IZF-00800	DAMPER SHOCK ABSORBER	
420A	IZF-00200	SHOCK ABSORBERS ASSEMBLY	
421	IZF-02500	SHIM PRIMARY DRIVEN GEAR	
422	IZF-02200	CLUTCH DRUM SPACER	
423	00129-K	20 FLATHEAD SCREWS KIT M6x45	
424A	IZF-05000	CLUTCH DRUM WITH SCREWS	
425	IZF-02100	SAFETY CONE SPRING	
426	IZF-00700	BARE CLUTCH DISC	
427	IZF-00600	PADDED CLUTCH DISC	
428	IZF-01400	THRUST BEARING PLATE	



# CLUTCH GROUP

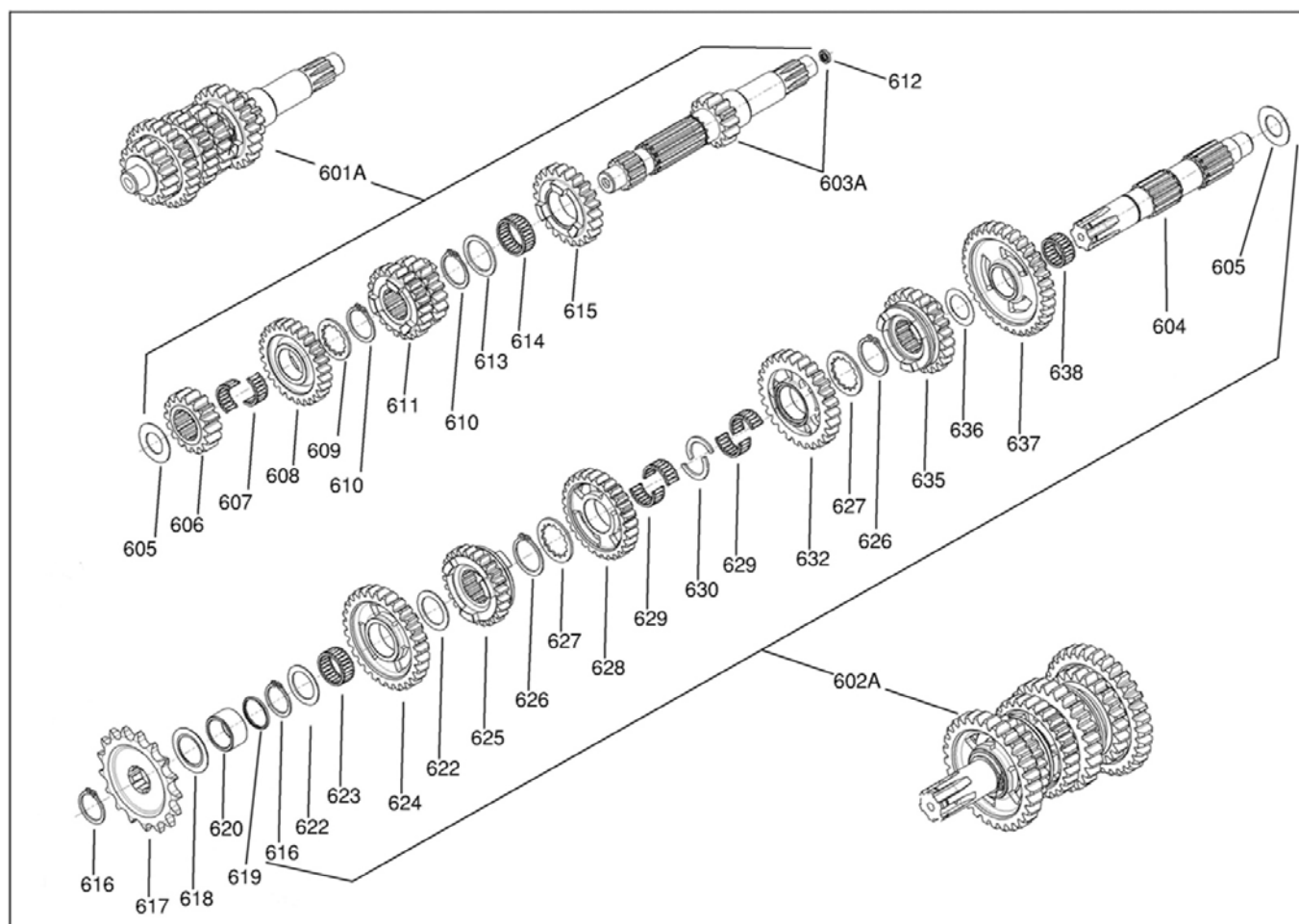


KT-007

## RICAMBI / SPARES

POS	COD	DESCR	PRICE
429	IZF-01700	CLUTCH NUT WASHER	
430	00364	NUT M14x1	
431	IZF-90460	THRUST BEARING PLATE	
432A	IZF-04000	PRESS. PLATE W/ BALL BEARING	
433	IZF-90090	SPACER RING	
434	IZF-90065	SEEGER RING A10 DIN471	
435	IZF-01200	CLUTCH SPRING	
436	IZF-01300	CLUTCH SPING RETAINER	
437	IZF-01600	CLUTCH PUSH PLATE	
438	IZF-01500	PUSH ROD CLUTCH	
440A	IZF-00300	CLUTCH DRUM W/SHOCK ABSORB.	

# SPEED GEAR ASSEMBLY and GEARS

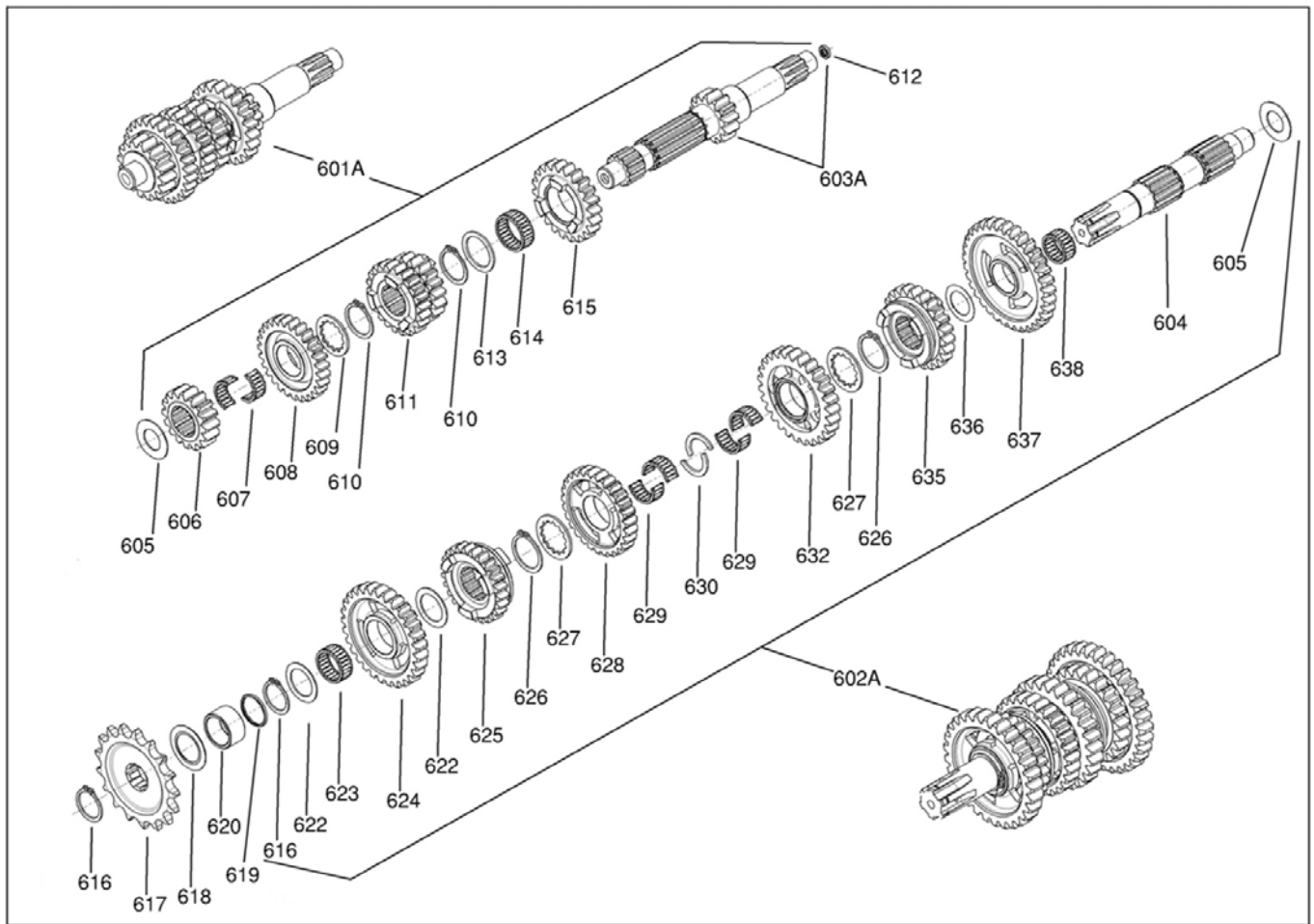


KT-008

## RICAMBI / SPARES

POS	COD	DESCR	PRICE
601A	IZF-30000	COMPLETE PRIMARY SHAFT	
602A	IZF-31000	COMPLETE SECONDARY SHAFT	
603A	IZF-20100-C	PRIMARY SHAFT WITH RING	
604	IZF-20200	SECONDARY SHAFT	
605	IZF-21900	SHIM PRIMARY/SECONDARY SHAFT	
606	IZF-20300	2ND G. DRIVE GEAR	
607	IZF-20450	SPLITTED ROLLER CAGE K18x22x10	
608	IZF-20600	6th G. DRIVE GEAR	
609	IZF-21400	SPLINED SHIM 6th SPEED	
610	IZF-90045	SEEGER RING A22 DIN471	
611	IZF-20400	3rd/4th G. DRIVE GEAR	
612	IZF-90020	OIL SEAL GR5x9x2	
613	IZF-21300	5th GEAR SHIM	
614	IZF-20452	ROLLER CAGE	
615	IZF-20500	5th G. DRIVE GEAR	
616	IZF-90055	SEEGER RING A20 DIN471	
617	IZF-25800	SPROCKET Z15	
617	IZF-25900	SPROCKET Z16	
617	IZF-26000	SPROCKET Z17	
617	IZF-26100	SPROCKET Z18	
617	IZF-26200	SPROCKET Z19	
617	IZF-26300	SPROCKET Z20	
618	IZF-90120	SAFETY CONE SPRING "AL"	
619	IZF-90025	O'RING 2075 NBR 70	
620	IZF-25300	CHAIN SPROCKET SPACER	
622	IZF-90075	SPACER RING	
623	IZF-90400	ROLLER CAGE K20	
624	IZF-20800	2nd G. DRIVEN GEAR	
625	IZF-21200	6th G. DRIVEN GEAR	
626	IZF-90050	SEEGER RING A24 DIN471	

# SPEED GEAR ASSEMBLY and GEARS

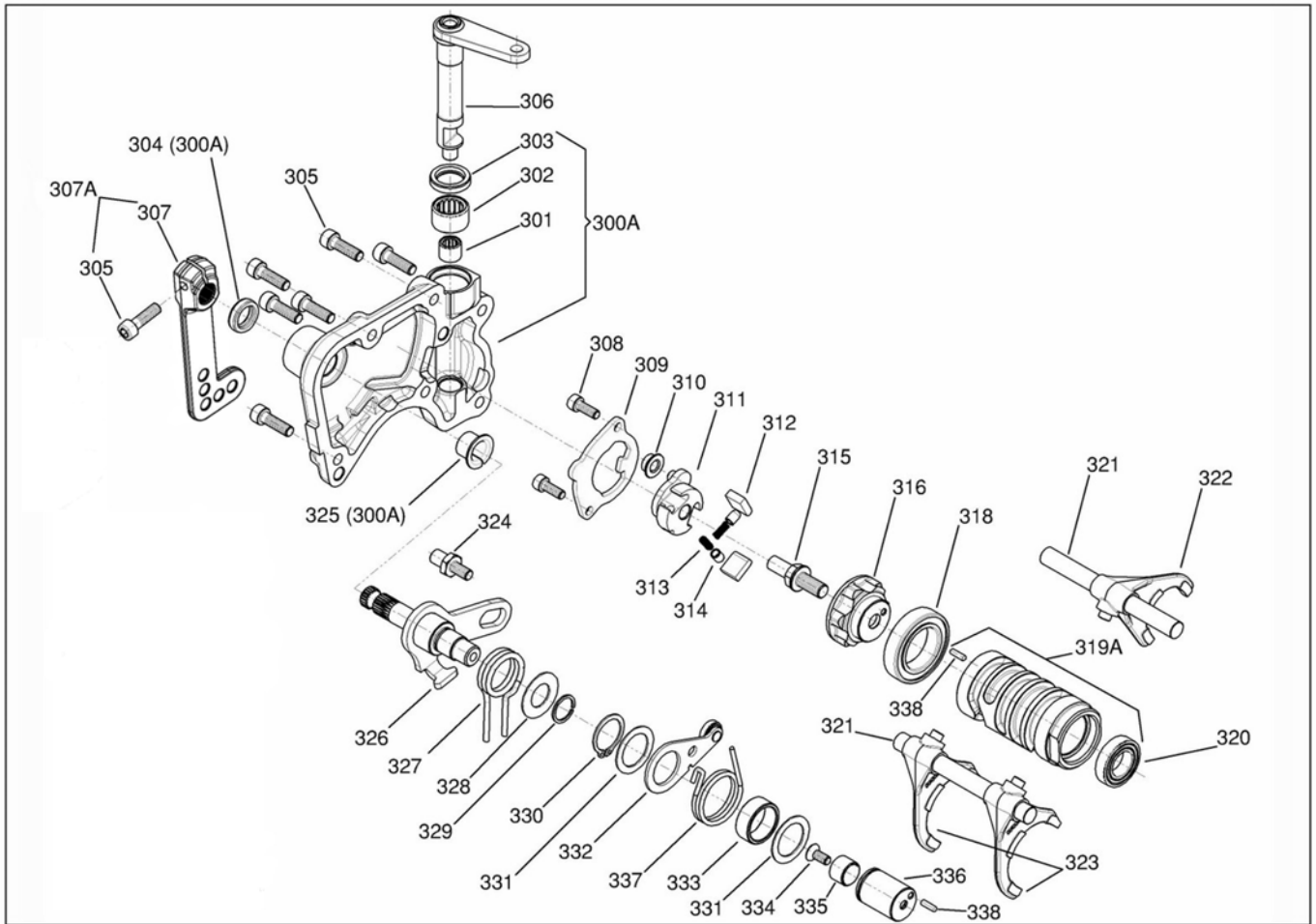


KT-008

## RICAMBI / SPARES

POS	COD	DESCR	PRICE
627	IZF-21700	SPLINED SHIM 21x32x0.8	
628	IZF-21000	4th G. DRIVEN GEAR	
629	IZF-20451	SPLIT. ROLLER CAGE K20x24x10	
630	IZF-21800	HALF SHIM 3rd / 4th SPEED	
632	IZF-20900	3rd G. DRIVEN GEAR	
635	IZF-21100	5th G. DRIVEN GEAR	
636	IZF-21500	SHIM 1st SPEED	
637	IZF-20700	1st G. DRIVEN GEAR	
638	IZF-90405	ROLLER CAGE K17	

# SELECTOR ASSEMBLY

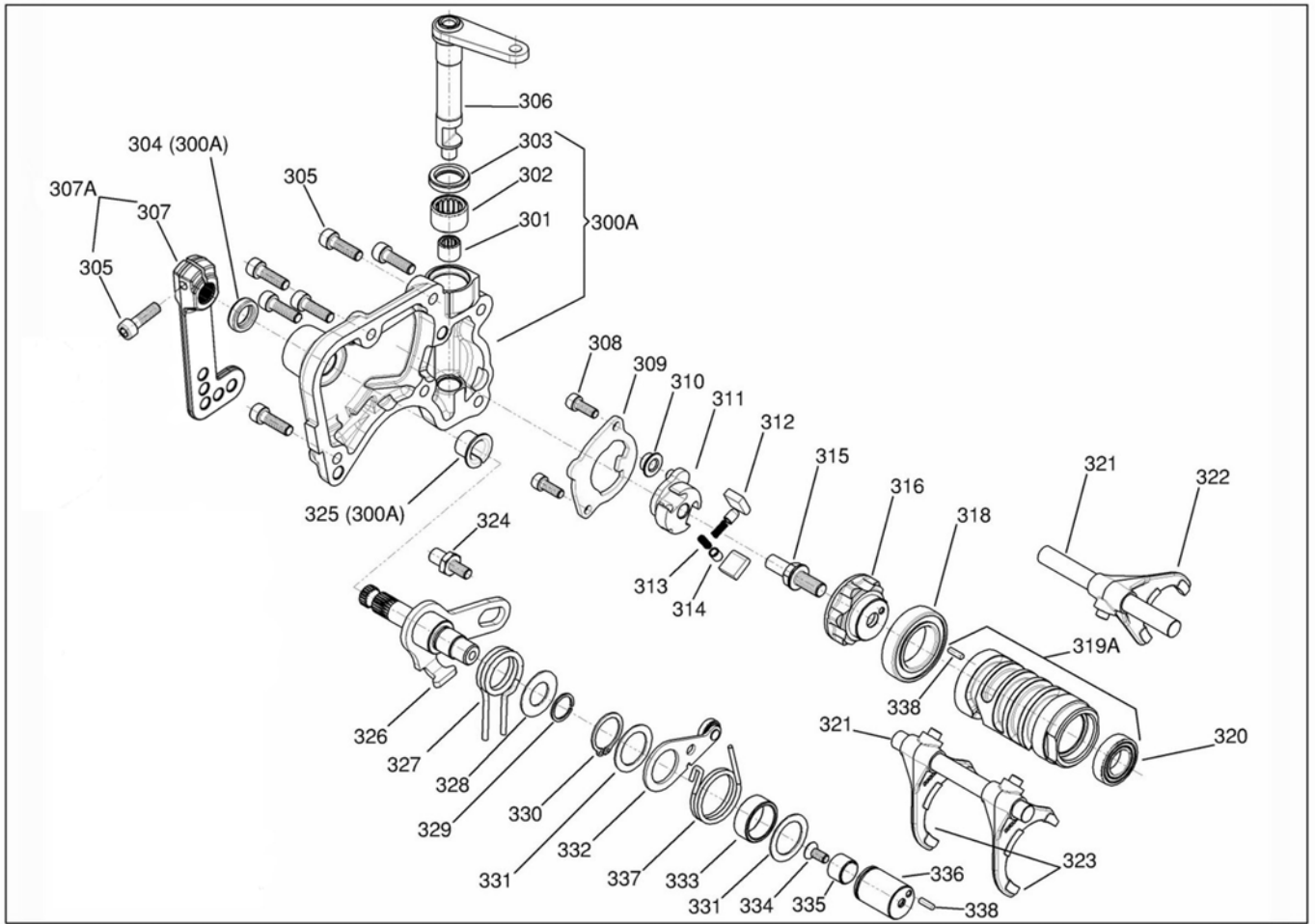


KT-009

## RICAMBI / SPARES

POS	COD	DESCR	PRICE
300A	IZB-05000	COMPLETE SELECTOR COVER	
301	A-60865	ROLLER CAGE TaG	
302	IZF-90410A	NEEDLE BEARING HK1412	
303	IZF-90125	OIL SEAL	
304	IZF-90115	OIL SEAL	
305	00044-K	KIT 20 ALLEN SCR. CYL. H. 6x20	
306	IZF-01800	CLUTCH CONTROL LEVER	
307A	IZF-24901-C	SHIFT LEVER WITH SCREW	
308	00062-K	SOCKET SCREW M5x14	
309	IZF-23800	RATCHET PLATE	
310	IZF-23700	SPRING LATCH SUPP. BUSH	
311	IZF-23000	RATCHET SUPPORT	
312	IZF-23400	SHIFTING RATCHET	
313	IZF-23601	RATCHET PUSH PAD	
314	IZF-23500	PUSH ROD RATCHET	
315	IZF-22900	SHIFTER PIN	
316	IZF-22000	PRESELECTOR CAM	
318	IZF-90450	BALL BEARING 6905 T1xC3	
319A	IZF-22200-C	LIGHTENED SHIFTING DRUM	
320	IZF-90455	BALL-BEARING 61902 T9C4	
321	IZF-22800	FORKS GUIDE SHAFT	
322	IZF-22400	SHIFTING PRIMARY FORK	
323	IZF-22600	SHIFTER SECONDARY FORK	
324	IZF-24800	RETAINER SPRING	
325	IZF-90105	FLANGED BUSH	
326	IZF-23100	PRESELECTOR CONTROL SHAFT	
327	IZF-24000	PRESELECTOR SHAFT SPRING	
328	IZF-25700	SPRING WASHER	
329	IZF-90100	ELASTIC RING SW14	

# SELECTOR ASSEMBLY

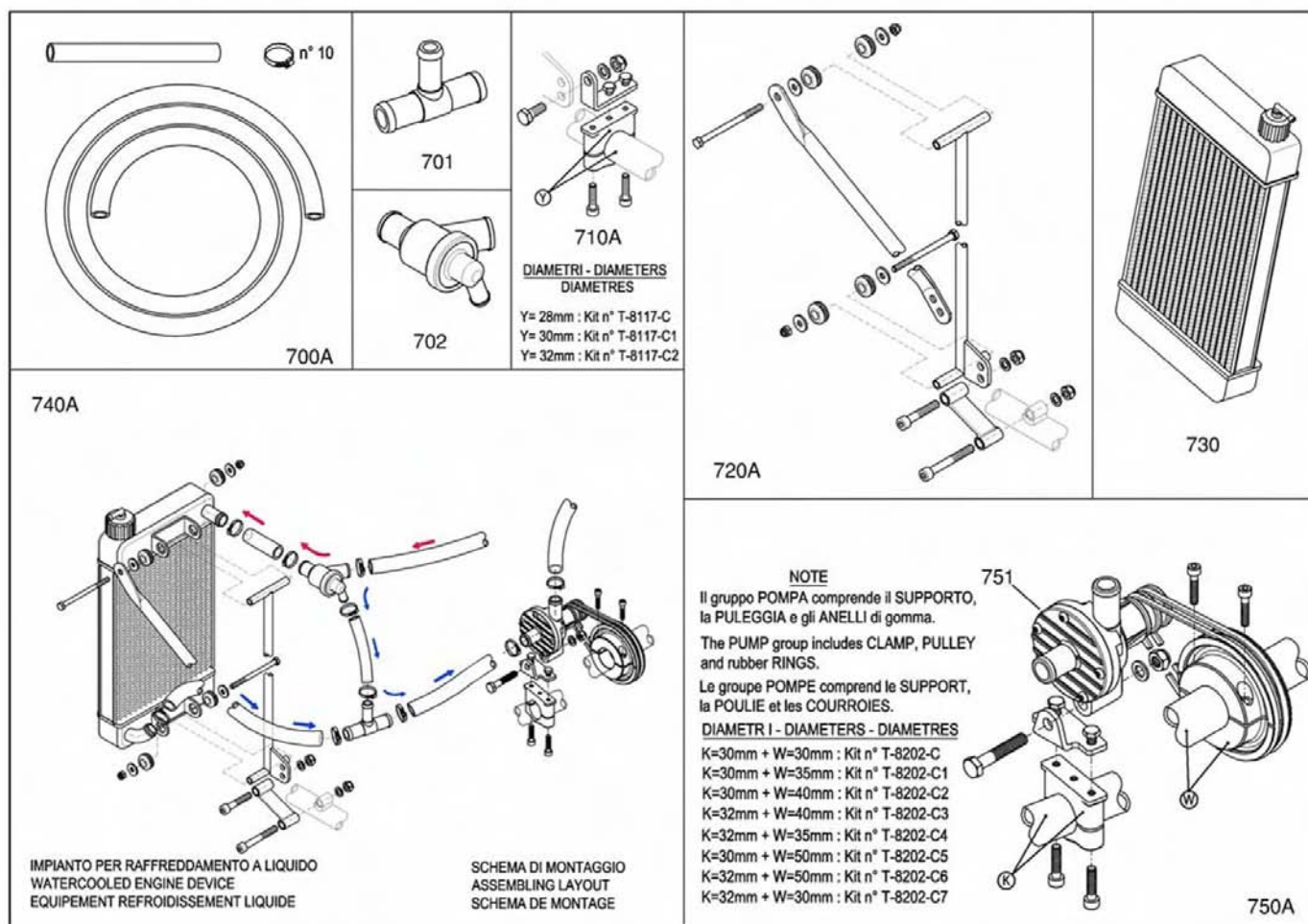


KT-009

## RICAMBI / SPARES

POS	COD	DESCR	PRICE
330	IZF-90055	SEEGER RING A20 DIN471	
331	IZF-90075	SPACER RING	
332	IZF-24600	LOCATING LEVER	
333	IZF-24500	GEAR POSITION SPACER	
334	00111-K	20 SCREWS KIT TORX M5x10	
335	IZF-90110	BUSH MU TFP 1210	
336	IZF-24100	SHIFTER PIN BUSH SUPPORT	
337	IZF-24700	LOCATION LEVER SPRING	
338	IZF-90085	NEEDLE IKO N3x9.8 AB2	

# COOLING SYSTEM

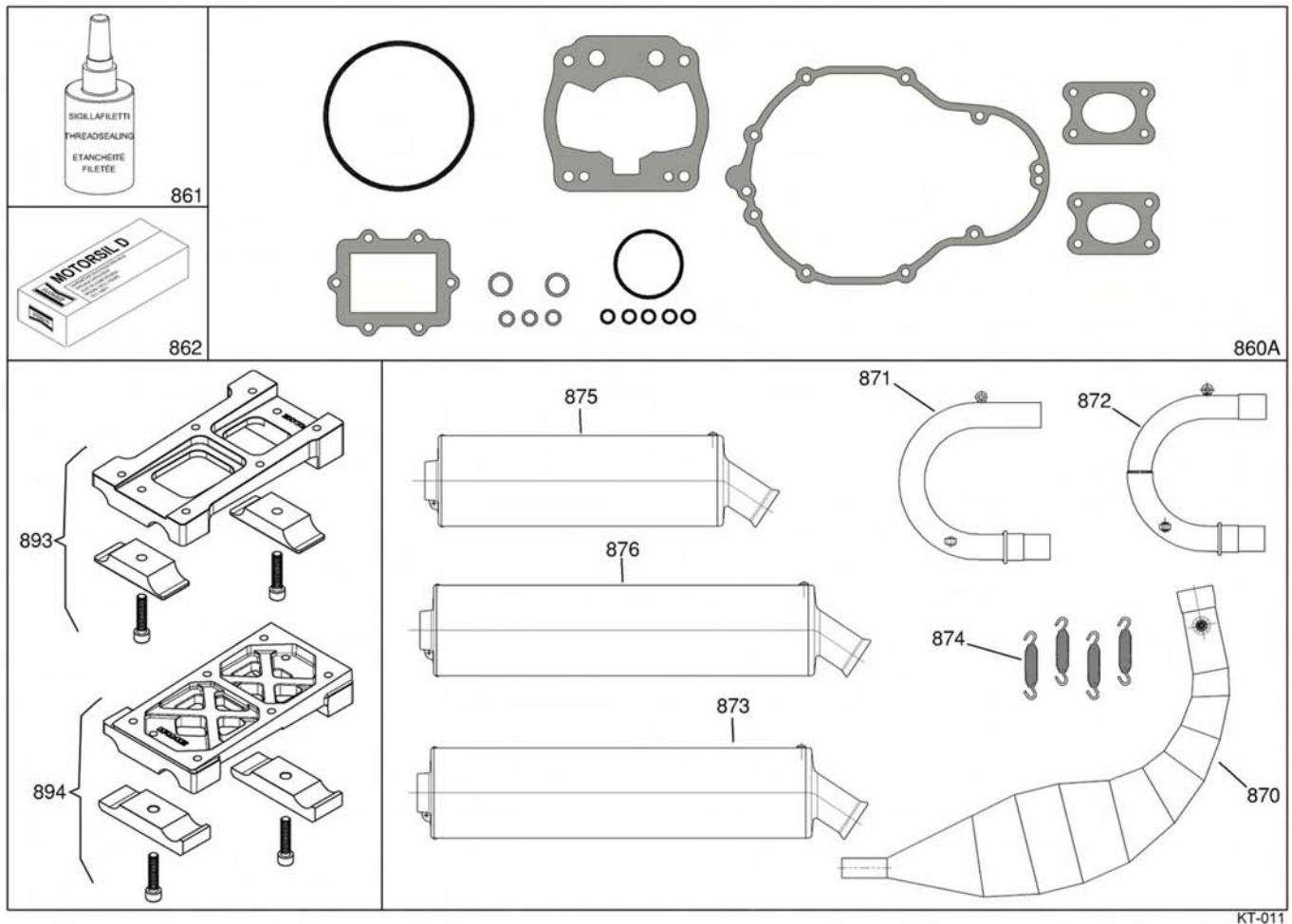


KT-010

## RICAMBI / SPARES

POS	COD	DESCR	PRICE
700A	IFI-50400-K	WATER PIPES KIT	
701	IFI-51000	3 WAYS FITTING KF1-2-3	
702	IFI-05900	3 WAYS THERMOSTAT KF1-2-3	
710A	T-8117-C	RADIATOR CLAMP KIT mm 28	
710A	T-8117-C1	RADIATOR CLAMP KIT mm 30	
710A	T-8117-C2	RADIATOR CLAMP KIT mm 32	
720A	IFI-52300-K	RADIATOR SUPP.KIT KF1-2-3	
730	IFI-05000	REEDSTER RADIATOR/XTR	
740A	IFI-05000-K	COOLING KIT REEDSTER	
750A	T-8202-C	PUMP GROUP mm 30/30	
750A	T-8202-C1	PUMP GROUP mm 30/35	
750A	T-8202-C2	PUMP GROUP mm 30/40	
750A	T-8202-C3	PUMP GROUP mm 32/40	
750A	T-8202-C4	PUMP GROUP mm 32/35	
750A	T-8202-C5	PUMP GROUP mm 30/50	
750A	T-8202-C6	PUMP GROUP mm 32/50	
750A	T-8202-C7	PUMP GROUP mm 32/30	

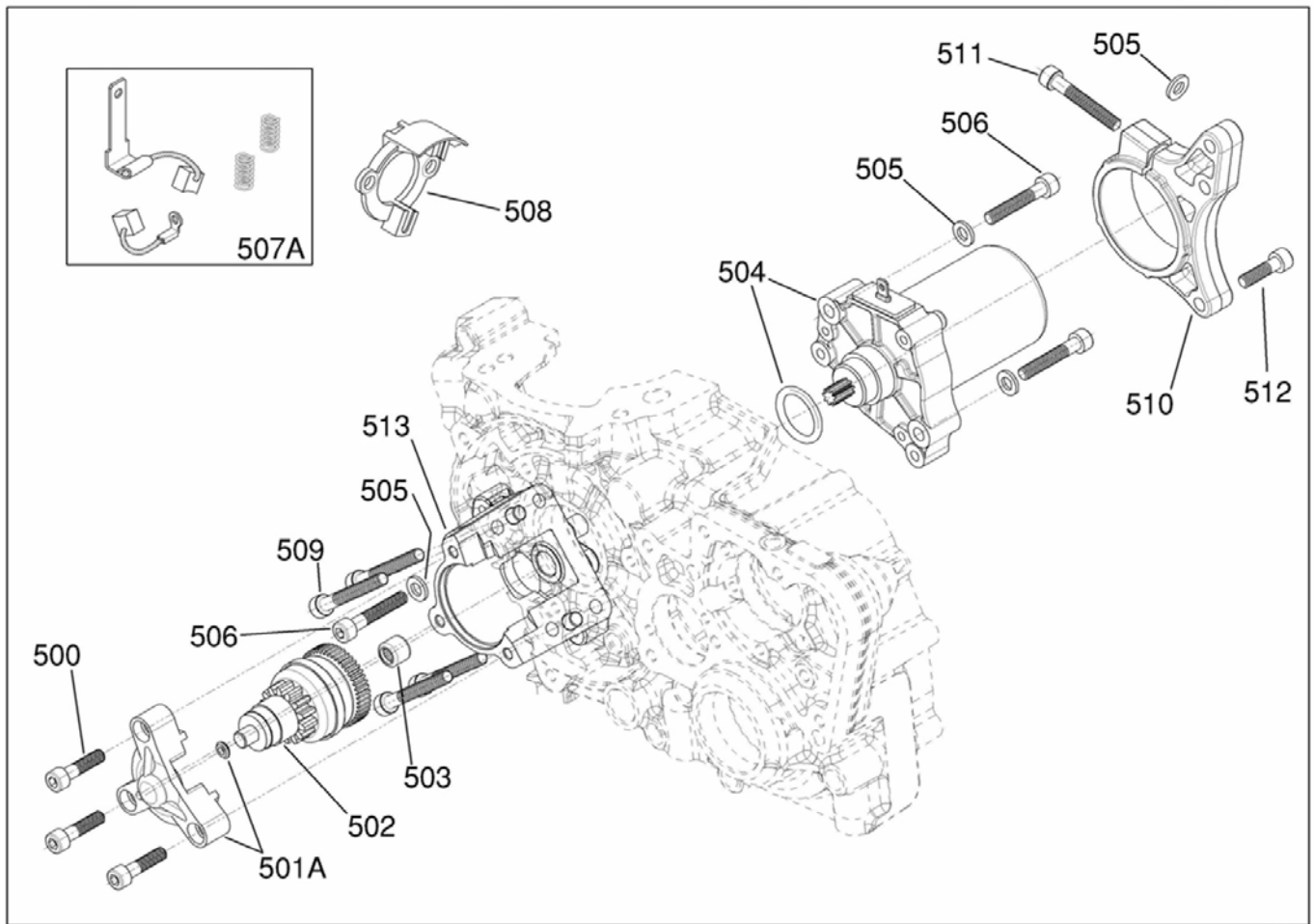
# EXHAUST GROUP & GASKETS SET



## RICAMBI / SPARES

POS	COD	DESCR	PRICE
860A	IZZ-125990	GASKETS SET KZ	
861	00600	LIQUID PIPE FITTING SEAL	
862	00602	LIQUID GASKET AREXON	
870	IZH-04000	EXHAUST MUFFLER KZ STANDARD	
871	IZH-06100	SILENCER HEADER KZ 28mm	
872	IZH-06101	EXHAUST HEADER KZ 26/28mm	
873	IZH-06000	ELTO SILENCER 125S KZ	
874	IFH-55100	FLEXIBLE SPRING KF1-2	
875	IZH-06000B	SILENCER TEXALIO SHORT	
876	IZH-06000A	MC 125cc SILENCER	
893	IZB-50002	ENGINE MOUNT ALU 3° W/CLAMPS	
894	IZB-50004	ENGINE MOUNT MAG 3° W/CLAMPS	

# ELECTRIC STARTER GROUP



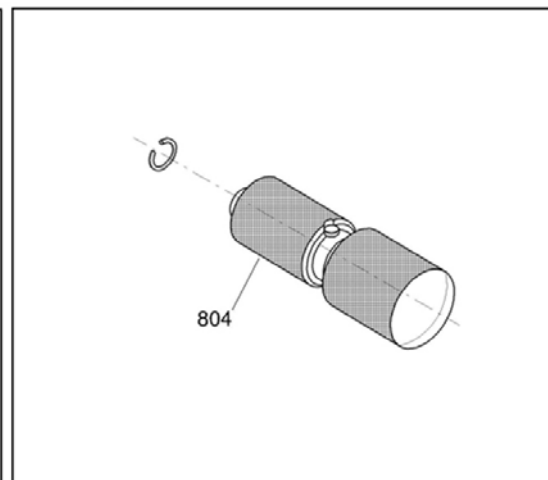
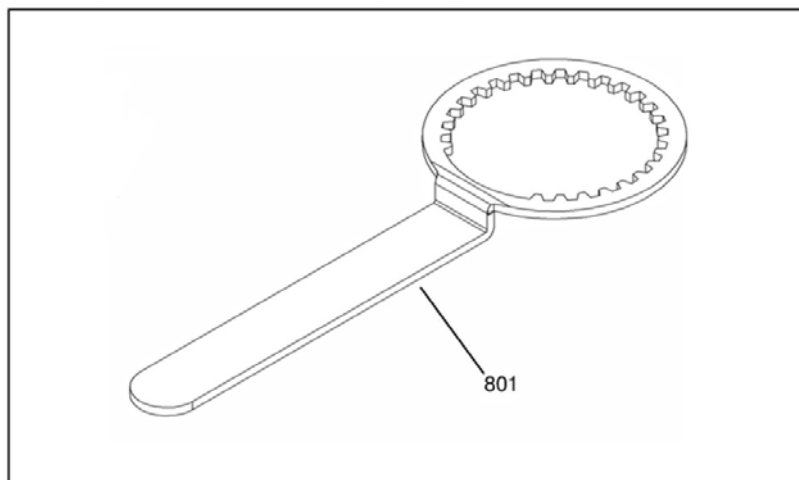
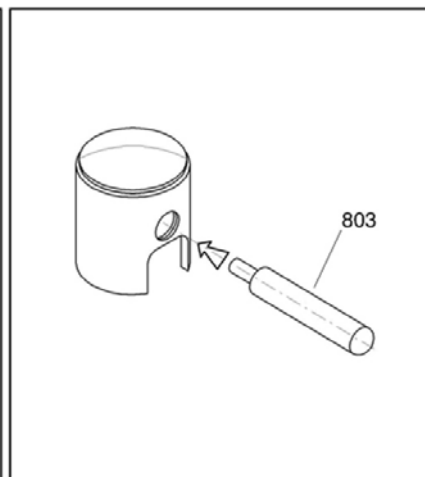
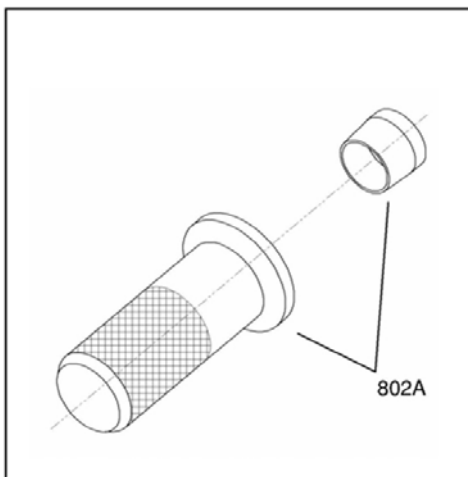
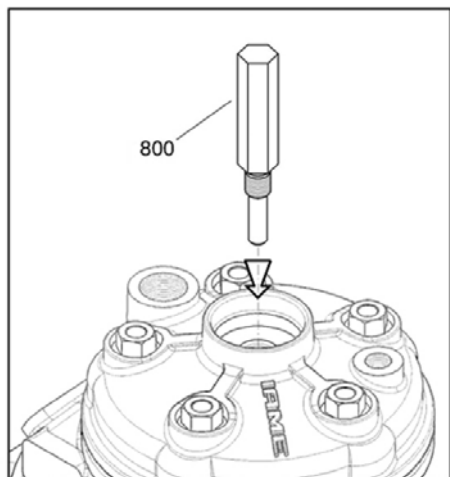
KT-005

## RICAMBI / SPARES

POS	COD	DESCR	PRICE
500	00045-K	20 SOCKET H. SCREWS M6X25 KIT	
501A	IFE-60100-K	KF1-2-3 COUNTERSHAFT SUPP.	
502	A-120855B	START.COUNTERSHAFT X30-SHIFTER	
503	A-60865	ROLLER CAGE TaG	
504	A-120850B	STARTER TaG	
505	00302-K	KIT 20 WASHERS M6	
506	00047-K	KIT OF 20 ALLEN SCREWS 6x35	
507A	A-60852A-C	KIT OF BRUSHES FOR STARTER	
508	A-120852	BRUSHES SUPPORT	
509	00050-K	KIT OF 20 ALLEN SCREWS 6x50	
510	A-125863-C	STARTER SUPPL. SUPPORT	
511	00048-K	KIT OF 20 ALLEN SCREWS 6x40	
512	00044-K	KIT 20 ALLEN SCR. CYL. H. 6x20	
513	IZE-50040	STARTER SUPPORT X30-SHIFTER	



# TOOLING



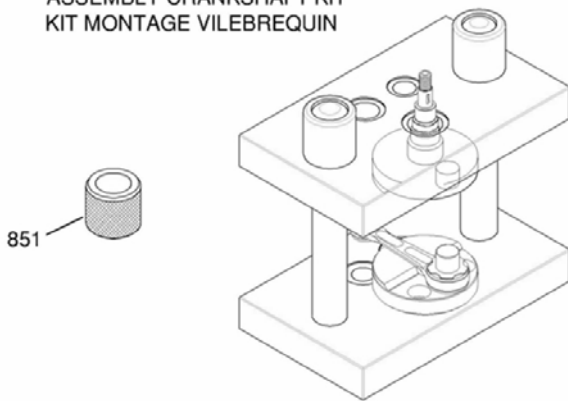
KT-012

## RICAMBI / SPARES

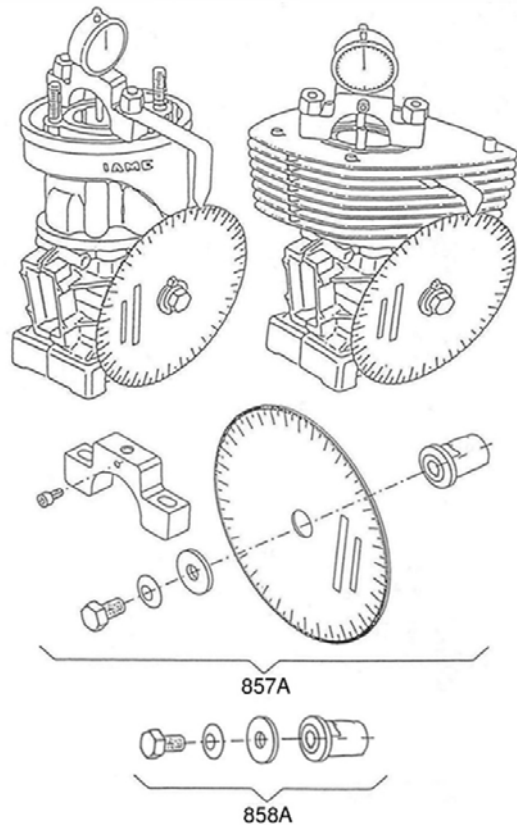
POS	COD	DESCR	PRICE
800	10271	PISTON STROKE LOCKER	
801	ATT-031/2	KZ CLUTCH LOCKING TOOL	
802A	ATT-031/3	OIL SEAL MOUNTING TOOL	
803	10200	PISTON PIN PUNCH 125cc	
804	ATT-006	15mm CIRCLIP ASSEM.TOOL	

# ASS.CRANKSHAFT TOOL

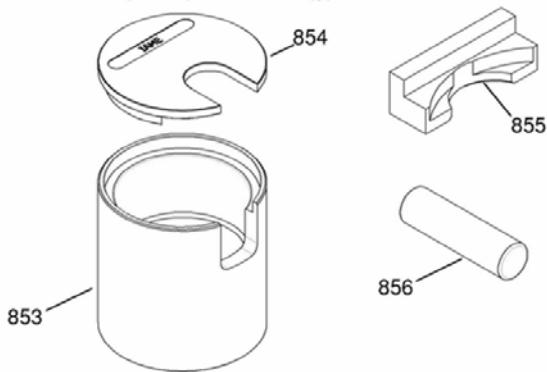
850A KIT MONTAGGIO ALBERO  
ASSEMBLY CRANKSHAFT KIT  
KIT MONTAGE VILEBREQUIN



GRUPPO CONTROLLO FASE  
TIMING CONTROL GROUP  
GROUPE CONTROL DISTRIBUTION



852A KIT SMONTAGGIO ALBERO  
CRANK DISASSEMBLING KIT  
KIT DEMONTAGE VILEBREQUIN



KT-013

## RICAMBI / SPARES

POS	COD	DESCR	PRICE
850A	10110A	CRANKSHAFT ASSY TOOL	
851	10150A	CRANK-PIN BUSH mm20	
853	10100	CRANKSH. DISASSY SUPPORT	
854	10104A	CRANKSHAFT PLATE 125cc	
855	10106	CRANKSHAFT INSERT 125cc-SUP	
856	10107	CRANK-PIN PUSHER	
857A	10820A	TIMING GROUP TaG/REEDSTER	
858A	ATT-014-C	COMPLETE TIMING GROUP ADAPTER	